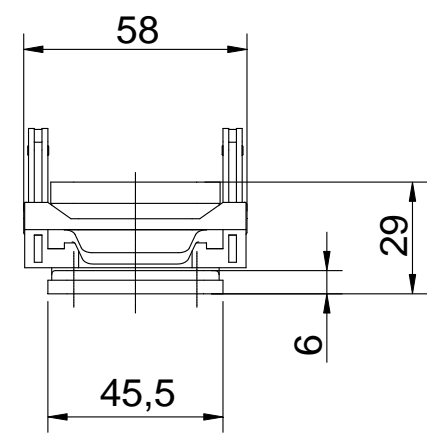
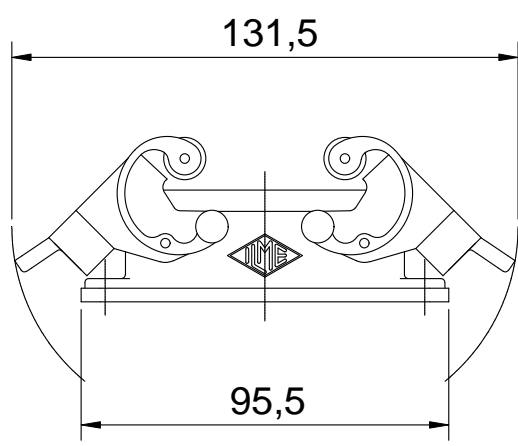
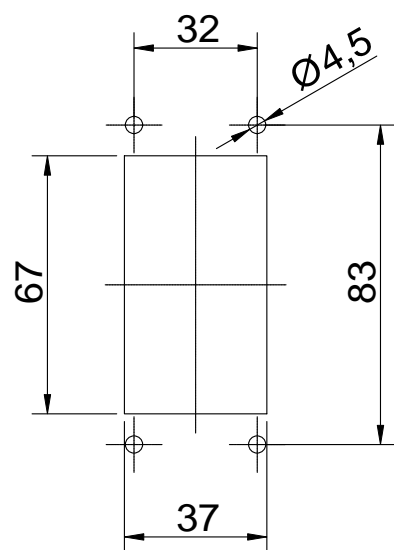


panel cut
out



Date 04.01.2007	CHIW 10		Scale
Sign.	bulkhead h. 2 lev. AA		1:2
			