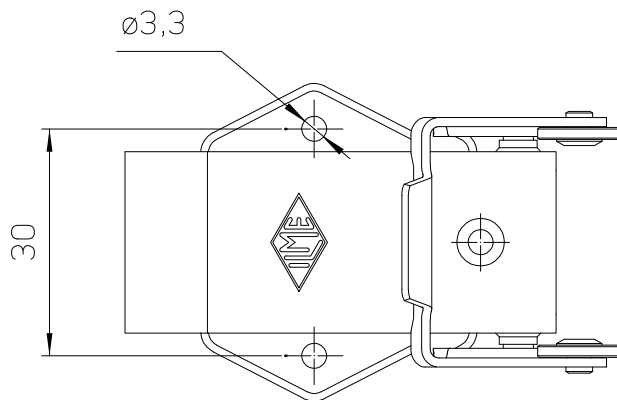
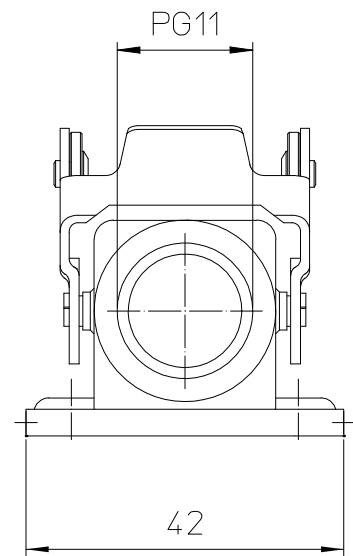
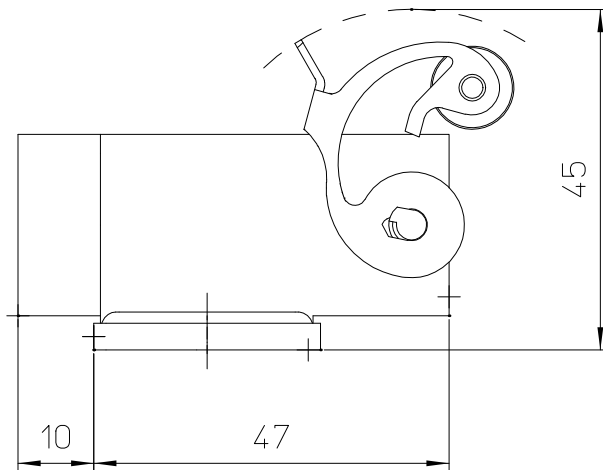
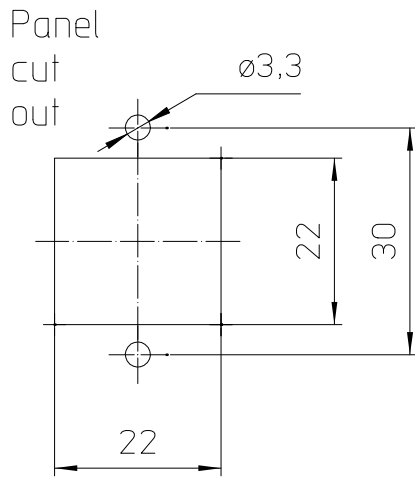


Diritti riservati All rights reserved



dimensions in mm
Date 01/09/14
Sign. Radice

CKAXW 03 IAP
Metal angled bulkhead housing, stainless steel lever, PG11 - AE

Scale
1:1

