

Part number

MKAXX IF



Brief description:

bulkhead mounting housing with 1 stainless steel rigid lever and round threaded appendix, size "21.21", 1 x M32, metal version

Product description

Version	Metallic type
Series	Bulkhead mounting housings with 1 lever
Product type	With stainless steel rigid lever
Variant	round threaded appendix
Family	CKA metal enclosures
Size	size "21.21"

Technical data

Operating temperature range (min, max)	-40°C...+125°C
Material	metal
IP degree of protection	IP44 (IP66/IP67/IP69 with CKR 65/CKR 65 D kits)
Cable entry	M32

Further technical details

Weight	0,10 g
---------------	--------

General ordering information

EAN13 code	8015747268226
-------------------	---------------

Packaging Information

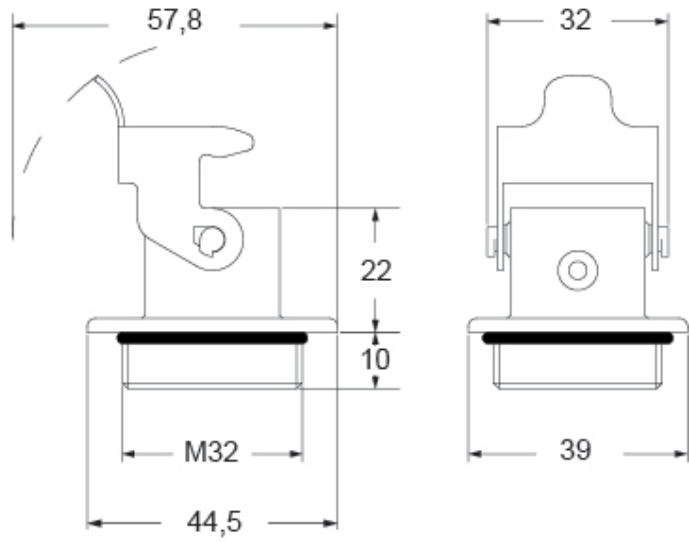
Packaging length	330,00 mm
Packaging height	230,00 mm
Packaging width	205,00 mm
Packaging volume	15,56 dm ³
Packaging description	Carton box
Packaging quantity	100 Pcs
Packaging EAN code	8015747268233
Sub-packaging length	185,00 mm
Sub-packaging height	40,00 mm
Sub-packaging width	155,00 mm
Sub-packaging volume	1,15 dm ³
Sub-packaging description	Carton box
Sub-packaging quantity	10 Pcs
Sub-packaging EAN barcode	8015747268240

Part number

MKAXX IF



Catalogue drawings



Catalogue drawings

