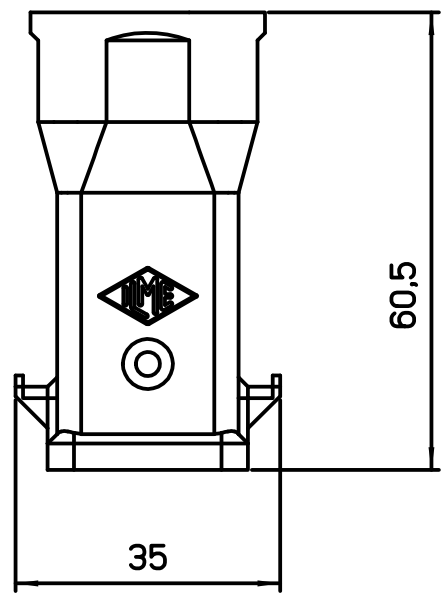
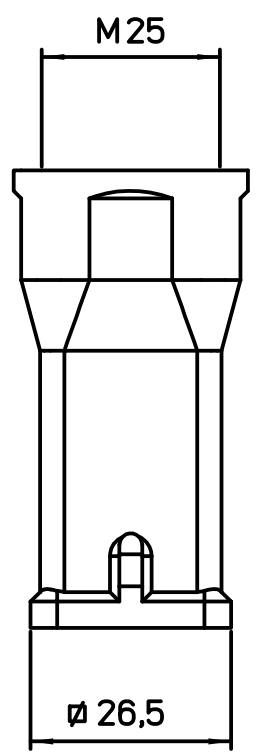
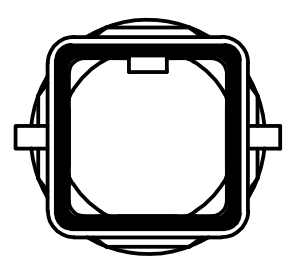
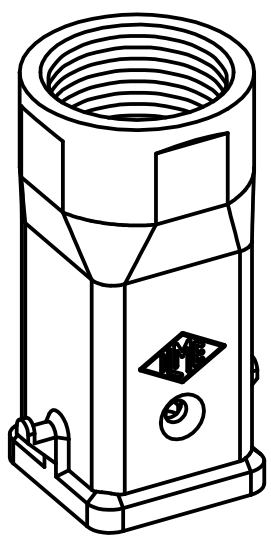


Diritti riservati All rights reserved



dimensions in mm
Date 18/09/18
Sign. D.Cominelli

MKG VN25
Insulating hood top entry M25 with gasket

Scale
1:1

