

Part number
CR KC



Brief description:

insert coding pin for RJ45 adaptors



Product description	
Series	multipole inserts accessories
Product type	insert coding pin for RJ45 adaptors
Family	accessories for multipole connectors
Further technical details	
Weight	0,18 g

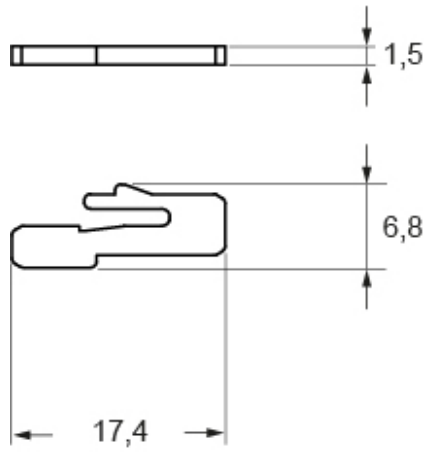
General ordering information	
EAN13 code	8015747133159
Tariff number	85369095
Packaging Information	
Sub-packaging description	Plastic bag
Sub-packaging quantity	20 Pcs
Sub-packaging EAN barcode	8015747133340

Part number

CR KC



Catalogue drawings



Notes