

## 7-16 DIN Female for 1/4 in FSJ1-50A cable



### Product Classification

<b>Brand</b>	HELIAX®
<b>Product Type</b>	Wireless and radiating connector

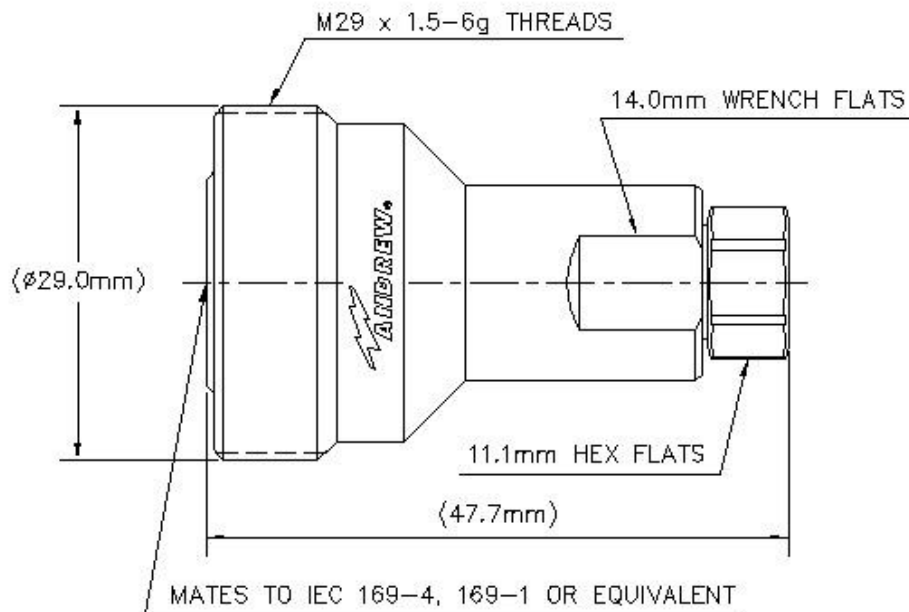
### General Specifications

<b>Interface</b>	7-16 DIN Female
<b>Body Style</b>	Straight
<b>Mounting Angle</b>	Straight

### Electrical Specifications

<b>Connector Impedance</b>	50 ohm
<b>Operating Frequency Band</b>	0 – 6000 MHz
<b>Cable Impedance</b>	50 ohm
<b>3rd Order IMD, typical</b>	-112 dBm @ 910 MHz
<b>3rd Order IMD Test Method</b>	Two +43 dBm carriers
<b>RF Operating Voltage, maximum (vrms)</b>	565.00 V
<b>dc Test Voltage</b>	1600 V
<b>Outer Contact Resistance, maximum</b>	1.50 mOhm
<b>Inner Contact Resistance, maximum</b>	0.40 mOhm
<b>Insulation Resistance, minimum</b>	10000 MOhm
<b>Average Power</b>	0.4 kW @ 900 MHz
<b>Peak Power, maximum</b>	6.40 kW
<b>Shielding Effectiveness</b>	-110 dB

## Outline Drawing



## Mechanical Specifications

<b>Outer Contact Attachment Method</b>	Self-clamping
<b>Inner Contact Attachment Method</b>	Solder
<b>Outer Contact Plating</b>	Trimetal
<b>Inner Contact Plating</b>	Silver
<b>Interface Durability</b>	500 cycles
<b>Interface Durability Method</b>	IEC 61169-4:17
<b>Connector Retention Tensile Force</b>	450 N   101 lbf
<b>Insertion Force</b>	889.64 N   200.00 lbf
<b>Insertion Force Method</b>	IEC 61169-16:9.3.5
<b>Pressurizable</b>	No
<b>Coupling Nut Proof Torque</b>	35.00 N-m   25.81 ft lb
<b>Coupling Nut Proof Torque Method</b>	IEC 61169-16:9.3.11
<b>Coupling Nut Retention Force</b>	1000.00 N   224.81 lbf
<b>Coupling Nut Retention Force Method</b>	IEC 61169-17:9.3.11

## Dimensions

<b>Nominal Size</b>	1/4 in
<b>Diameter</b>	28.96 mm   1.14 in

<b>Height</b>	28.96 mm   1.14 in
<b>Length</b>	47.67 mm   1.88 in
<b>Weight</b>	92.00 g   0.20 lb
<b>Width</b>	28.96 mm   1.14 in

## Environmental Specifications

<b>Operating Temperature</b>	-55 °C to +85 °C (-67 °F to +185 °F)
<b>Storage Temperature</b>	-65 °C to +125 °C (-85 °F to +257 °F)
<b>Moisture Resistance Test Method</b>	IEC 60068-2-3
<b>Mechanical Shock Test Method</b>	IEC 60068-2-27
<b>Thermal Shock Test Method</b>	IEC 60068-2-14
<b>Vibration Test Method</b>	IEC 60068-2-6
<b>Corrosion Test Method</b>	IEC 60068-2-11

## Standard Conditions

<b>Attenuation, Ambient Temperature</b>	20 °C   68 °F
<b>Average Power, Ambient Temperature</b>	40 °C   104 °F
<b>Average Power, Inner Conductor Temperature</b>	100 °C   212 °F

## Return Loss/VSWR

<b>Frequency Band</b>	<b>VSWR</b>	<b>Return Loss (dB)</b>
824–2700 MHz	1.05	32.00

## Regulatory Compliance/Certifications

### Agency

RoHS 2011/65/EU  
 ISO 9001:2015  
 China RoHS SJ/T 11364-2014

### Classification

Compliant by Exemption  
 Designed, manufactured and/or distributed under this quality management system  
 Above Maximum Concentration Value (MCV)

