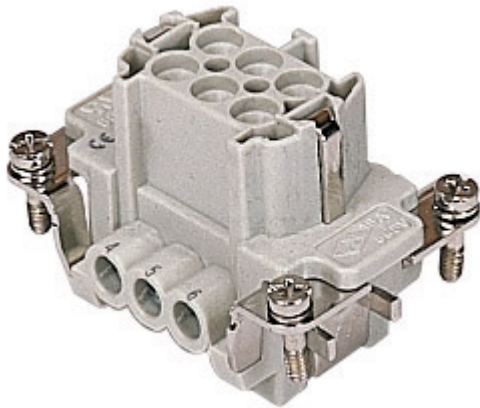


Part number

# CNEF 06 T



## Brief description:

female insert, 6 poles + PE, screw terminal connections, 16A, 500V, 6kV, 3, silver plated, size "44.27", CLASS insert series

Product description	
<b>Model</b>	female insert
<b>Version</b>	screw terminal connections
<b>Series</b>	CNE
<b>Product type</b>	with female contacts
<b>Variant</b>	with plate
<b>Family</b>	CLASS inserts
<b>Size</b>	size "44.27"
<b>N. of poles</b>	6 poles +
Technical data	
<b>Current</b>	16 A (A.C. and D.C.)
<b>Voltage</b>	500 V
<b>Rated impulse withstand voltage</b>	6kV
<b>Pollution degree</b>	3
<b>Wire cross-section</b>	0,50 mm <sup>2</sup> - 4,00 mm <sup>2</sup>
<b>AWG size</b>	20 - 12
<b>Operating temperature range (min, max)</b>	-40°C ... +125°C
<b>Contact type</b>	silver plated
<b>Mating cycles</b>	≥ 500
<b>IP degree of protection</b>	IP20 without enclosure, IP65/IP66/IP68/IP69 with enclosure
<b>PE terminal stripping length</b>	7 mm
<b>PE wire cross-section</b>	0,14 - 4 mm <sup>2</sup> ; AWG 20 - 12
<b>Tightening torque for PE connection</b>	M4: 1,2 Nm, 10,6 lb.in (Ph2 or 1,0x5,5mm )
Further technical details	
<b>Characteristics according to EN 61984</b>	16A 500V 6kV 3; 16A 400/690V 6kV 2
<b>Insulation resistance</b>	≥ 10 GΩ
<b>Contact resistance</b>	≤ 0,3 mΩ
<b>Rated voltage according to UL/CSA</b>	600V
<b>UL 94 flammability rating</b>	V-0
<b>Main contacts stripping length</b>	7 mm
<b>Torque for main contact</b>	M3: 0.5 Nm; 4.4 lb.in (Ph0 or 0.8x4mm )
<b>Tightening torque for fixing screws</b>	M3: 0.5 Nm; 4.4 lb.in (Ph1 or 0.8x4 mm)
<b>Weight</b>	48,00 g

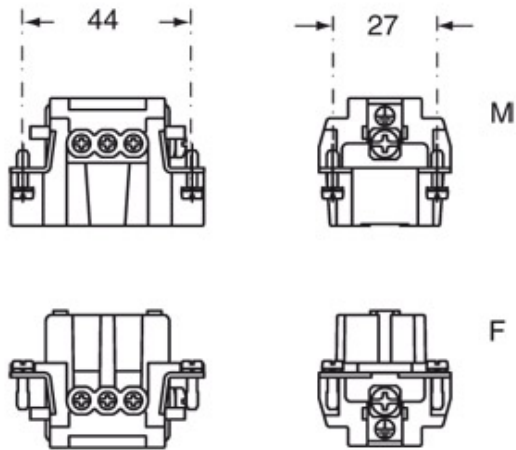
Approvals / Standards	
<b>Reference standard</b>	EN 61984:2009-06
<b>Quality mark</b>	DNV-GL, EAC
<b>Conformity</b>	CQC, CE
General ordering information	
<b>EAN13 code</b>	8015747032070
<b>Tariff number</b>	85369095
<b>Country of origin</b>	Made in EU (IT)
<b>ETIM classification</b>	EC000438
Packaging Information	
<b>Packaging length</b>	270,00 mm
<b>Packaging height</b>	75,00 mm
<b>Packaging width</b>	180,00 mm
<b>Packaging weight</b>	3,30 kg
<b>Packaging volume</b>	3,65 dm <sup>3</sup>
<b>Packaging description</b>	Carton box
<b>Packaging quantity</b>	60 Pcs
<b>Packaging EAN code</b>	8015747032087
<b>Sub-packaging length</b>	104,00 mm
<b>Sub-packaging height</b>	36,00 mm
<b>Sub-packaging width</b>	180,00 mm
<b>Sub-packaging weight</b>	0,55 kg
<b>Sub-packaging volume</b>	0,67 dm <sup>3</sup>
<b>Sub-packaging description</b>	Carton tray
<b>Sub-packaging quantity</b>	10 Pcs
<b>Sub-packaging EAN barcode</b>	8015747032094

Part number

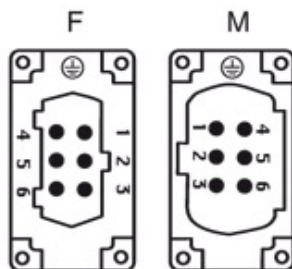
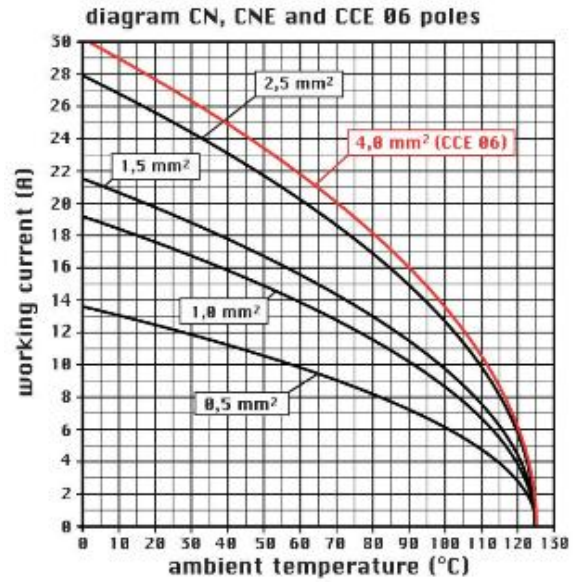
# CNEF 06 T



Catalogue drawings



Catalogue drawings



## Notes

CNE ... : for non-prepared conductors



CNE ... X : for conductors with bush terminal

---