


Part number  
**MK VA20**



**Brief description:**

hoods for single lever, size "21.21", side entry, M20, thermoplastic version, IP44, IP66/IP67 degree of protection with CKR 65 kit or CKR 65 D kit.

Product description		Approvals / Standards	
<b>Version</b>	thermoplastic version	<b>Quality mark</b>	SA type: 12, (type 4/4X only with kit CKR 65 or CKR 65 D),  , EAC
<b>Series</b>	Hoods with 2 pegs	<b>Conformity</b>	CQC, CE
<b>Product type</b>	with 2 pegs	<b>General ordering information</b>	
<b>Variant</b>	side entry	<b>EAN13 code</b>	8015747056564
<b>Style</b>	white colour, RAL 7035	<b>Tariff number</b>	85369095
<b>Family</b>	CK thermoplastic enclosures	<b>Packaging Information</b>	
<b>Size</b>	size "21.21"	<b>Packaging length</b>	365,00 mm
<b>Technical data</b>		<b>Packaging height</b>	125,00 mm
<b>Operating temperature range (min, max)</b>	-40°C ... +125°C	<b>Packaging width</b>	225,00 mm
<b>Material</b>	thermoplastic	<b>Packaging weight</b>	1,85 kg
<b>IP degree of protection</b>	IP44 (IP66/IP67/IP69 with CKR 65/CKR 65 D kits)	<b>Packaging volume</b>	10,27 dm <sup>3</sup>
<b>Cable entry</b>	M20	<b>Packaging description</b>	Carton box
<b>Further technical details</b>		<b>Packaging quantity</b>	100 Pcs
<b>Weight</b>	19,00 g	<b>Packaging EAN code</b>	8015747056571
		<b>Sub-packaging length</b>	105,00 mm
		<b>Sub-packaging height</b>	70,00 mm
		<b>Sub-packaging width</b>	110,00 mm
		<b>Sub-packaging weight</b>	0,19 kg
		<b>Sub-packaging volume</b>	0,81 dm <sup>3</sup>
		<b>Sub-packaging description</b>	Carton box
		<b>Sub-packaging quantity</b>	10 Pcs
		<b>Sub-packaging EAN barcode</b>	8015747056588

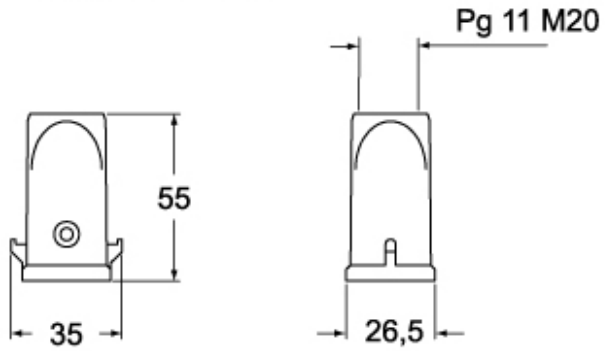
Part number

# MK VA20

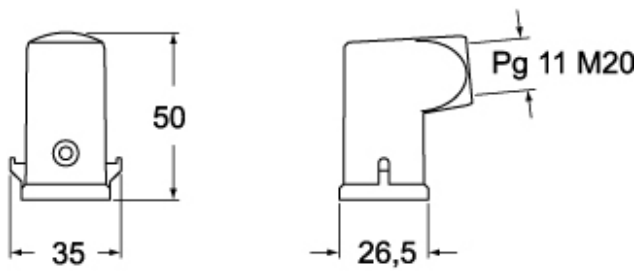


Catalogue drawings

## CK V(N)S - MK V(N)



## CK VA(N)S - MK VA(N)



## CK VG(N)S - MK VG(N)

