

Part number

# CK 03 VNS



## Brief description:

hoods for single lever, size "21.21", top entry, Pg11, thermoplastic version, IP44, IP66/IP67 degree of protection with CKR 65 kit or CKR 65 D kit.

### Product description

<b>Version</b>	thermoplastic version
<b>Series</b>	Hoods with 2 pegs
<b>Product type</b>	with 2 pegs
<b>Variant</b>	top entry
<b>Style</b>	black colour
<b>Family</b>	CK thermoplastic enclosures
<b>Size</b>	size "21.21"


### Technical data

<b>Operating temperature range (min, max)</b>	-40°C ... +125°C
<b>Material</b>	thermoplastic
<b>IP degree of protection</b>	IP44 (IP66/IP67/IP69 with CKR 65/CKR 65 D kits)
<b>Cable entry</b>	Pg11

### Further technical details

<b>Weight</b>	18,00 g
---------------	---------

### Approvals / Standards

<b>Quality mark</b>	UL type: 12, (type 4/4X only with kit CKR 65 or CKR 65 D),  , EAC
<b>Conformity</b>	CQC, CE

### General ordering information

<b>EAN13 code</b>	8015747026789
<b>Tariff number</b>	85369095

### Packaging Information

<b>Packaging length</b>	330,00 mm
<b>Packaging height</b>	170,00 mm
<b>Packaging width</b>	230,00 mm
<b>Packaging weight</b>	1,78 kg
<b>Packaging volume</b>	12,90 dm <sup>3</sup>
<b>Packaging description</b>	Carton box
<b>Packaging quantity</b>	100 Pcs
<b>Packaging EAN code</b>	8015747026796
<b>Sub-packaging length</b>	100,00 mm
<b>Sub-packaging height</b>	58,00 mm
<b>Sub-packaging width</b>	145,00 mm
<b>Sub-packaging weight</b>	0,18 kg
<b>Sub-packaging volume</b>	0,84 dm <sup>3</sup>
<b>Sub-packaging description</b>	Carton box
<b>Sub-packaging quantity</b>	10 Pcs
<b>Sub-packaging EAN barcode</b>	8015747026802

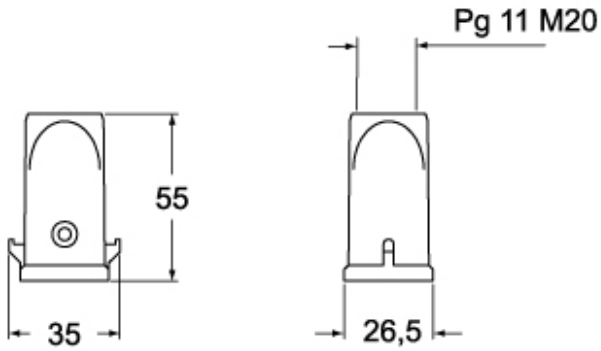
Part number

# CK 03 VNS

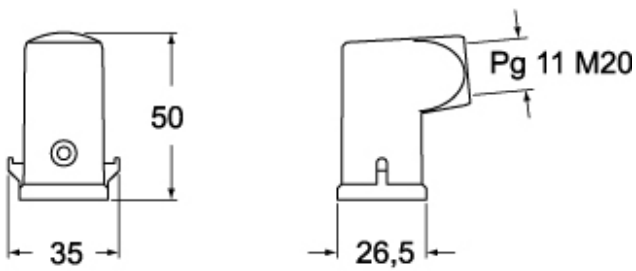


Catalogue drawings

## CK V(N)S - MK V(N)



## CK VA(N)S - MK VA(N)



## CK VG(N)S - MK VG(N)

