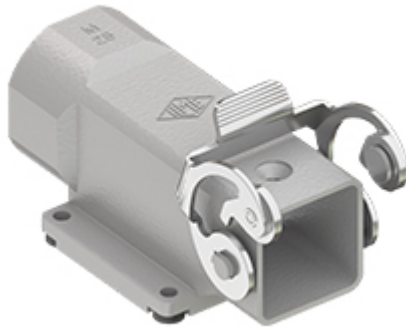


Part number

MKAX IAP25



Brief description:

angled bulkhead mounting housing with cable entry, with single lever, size "21.21", M25, metal version, IP44 (IP66/IP67/IP69 with CKR 65/CKR 65 D kits)

Product description

Version	Metallic type
Series	Angled mounting housings with 1 lever
Product type	with stainless steel lever
Variant	with threaded entry
Style	Fixing by 4 screws
Family	CKA metal enclosures
Size	size "21.21"

Technical data

Operating temperature range (min, max)	-40 °C ... +125 °C
Material	metal
IP degree of protection	IP44 (IP66/IP67/IP69 with CKR 65/CKR 65 D kits)
Cable entry	M25

Further technical details

Weight	1,00 g
---------------	--------

General ordering information

EAN13 code	8015747249348
-------------------	---------------

Packaging Information

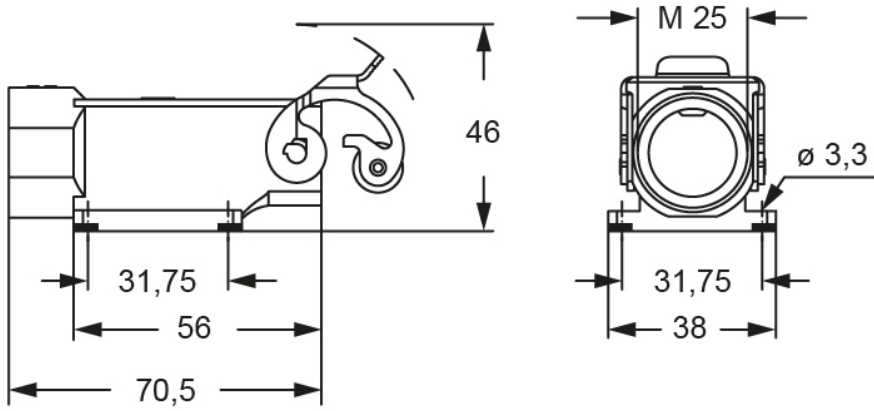
Packaging volume	2,32 dm ³
Packaging description	Carton box
Packaging quantity	10 Pcs
Packaging EAN code	8015747260428
Sub-packaging length	210,00 mm
Sub-packaging height	40,00 mm
Sub-packaging width	175,00 mm
Sub-packaging volume	1,47 dm ³

Part number

MKAX IAP25



Catalogue drawings



Catalogue drawings

