

Part number

CKAX 03 IAPS



Brief description:

angled bulkhead housings with single lever, size "21.21", with threaded entry, Pg11, metal version, IP44, IP66/IP67 degree of protection with CKR 65 kit or CKR 65 D kit.

Product description		Approvals / Standards	
Version	Metallic type	Quality mark	SA type: 12,(type 4/4X only with kit CKR 65 or CKR 65 D), ®, EAC
Series	Angled mounting housings with 1 lever	Conformity	CQC, CE
Product type	with stainless steel lever	General ordering information	
Variant	with threaded entry	EAN13 code	8015747027571
Family	CKA metal enclosures	Tariff number	85369095
Size	size "21.21"	Packaging Information	
Technical data		Packaging length	330,00 mm
Operating temperature range (min, max)	-40°C ... +125°C	Packaging height	230,00 mm
Material	metal	Packaging width	205,00 mm
IP degree of protection	IP44 (IP66/IP67/IP69 with CKR 65/CKR 65 D kits)	Packaging weight	8,29 kg
Cable entry	Pg11	Packaging volume	15,56 dm³
Further technical details		Packaging description	Carton box
Weight	72,00 g	Packaging quantity	100 Pcs
		Packaging EAN code	8015747233866
		Sub-packaging length	185,00 mm
		Sub-packaging height	40,00 mm
		Sub-packaging width	155,00 mm
		Sub-packaging weight	0,83 kg
		Sub-packaging volume	1,15 dm³
		Sub-packaging description	Carton box
		Sub-packaging quantity	10 Pcs
		Sub-packaging EAN barcode	8015747027588

Part number

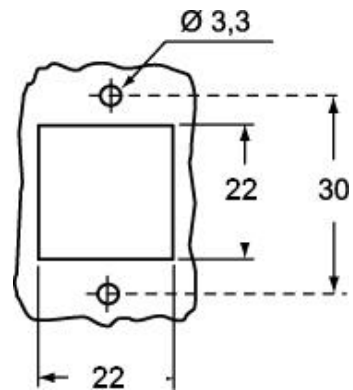
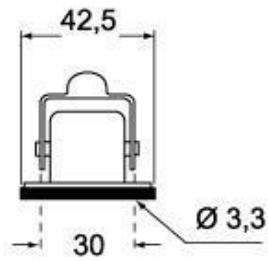
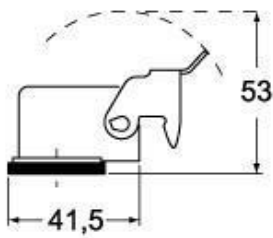
CKAX 03 IAPS



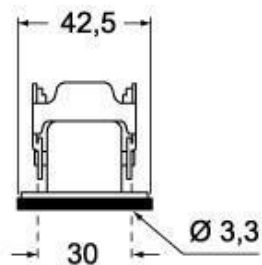
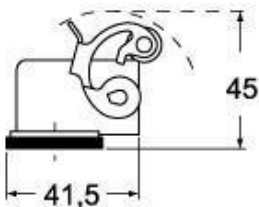
Catalogue drawings

Catalogue drawings

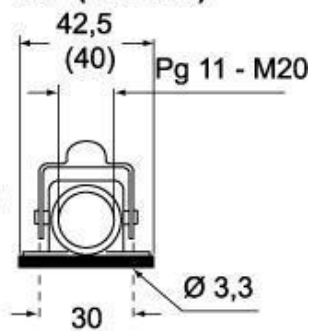
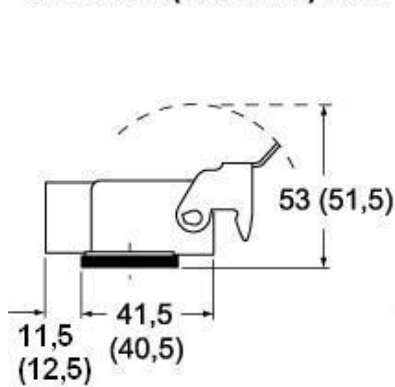
CKA IA



CKAX IA



CKA IAPS (CKA APS) MKA - IAP (MKA AP)



CKAX IAPS (CKAX APS) - MKAX IAP (MKAX AP)

