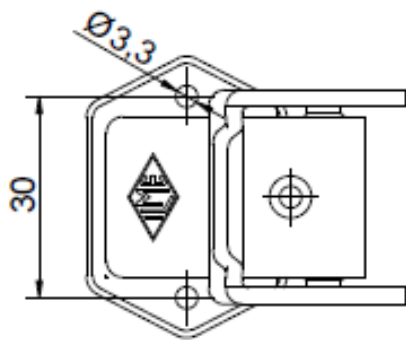
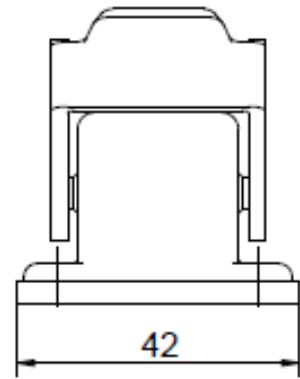
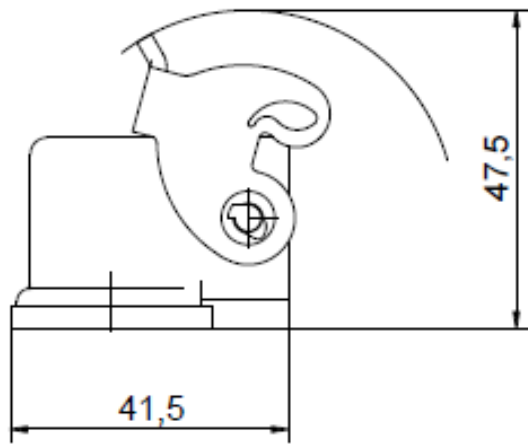
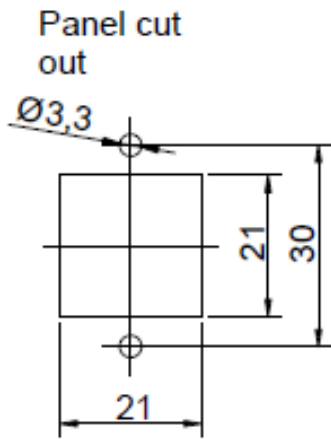


Diritti riservati All rights reserved



Date 23.10.2006

Sign.

CK 03 IAN

insul. angled bulkh. hous. with 1 lev.

Scale

1:1

