

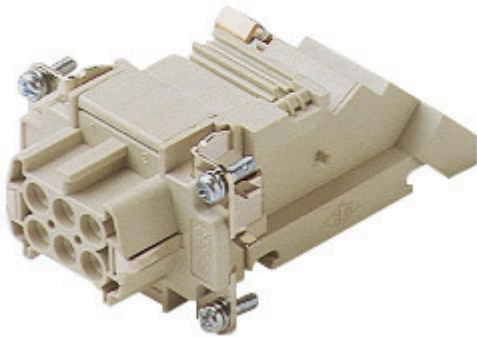
Part number



# CTSEF 06 R



## Brief description:

female insert, 6 poles + PE, with terminal block, spring terminal connection, 16A, 500V, 6kV, 3, silver plated, size "44.27" only bulkhead mounting housing, CLASS insert series



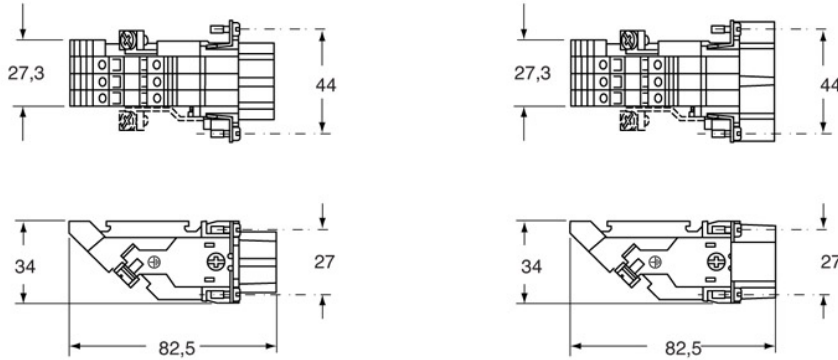
Product description		Approvals / Standards	
<b>Model</b>	female insert	<b>Reference standard</b>	EN 61984:2009-06
<b>Version</b>	with terminal block, spring terminal connection	<b>Quality mark</b>	 , EAC
<b>Series</b>	CTSE	<b>Conformity</b>	CQC, CE
<b>Product type</b>	with female contacts	General ordering information	
<b>Variant</b>	right side mounting	<b>EAN13 code</b>	8015747122320
<b>Family</b>	CLASS inserts	<b>Tariff number</b>	85369095
<b>Size</b>	size "44.27" only bulkhead mounting housing	<b>Country of origin</b>	Made in EU (IT)
<b>N. of poles</b>	6 poles + 	<b>ETIM classification</b>	EC000438
Technical data		Packaging Information	
<b>Current</b>	16 A (A.C. and D.C.)	<b>Packaging weight</b>	0,34 kg
<b>Voltage</b>	500 V	<b>Packaging description</b>	Carton box
<b>Rated impulse withstand voltage</b>	6kV	<b>Packaging quantity</b>	4 Pcs
<b>Pollution degree</b>	3	<b>Packaging EAN code</b>	8015747123532
<b>Wire cross-section</b>	0,14 mm <sup>2</sup> - 2,50 mm <sup>2</sup>	<b>Sub-packaging length</b>	75,00 mm
<b>AWG size</b>	26 - 14	<b>Sub-packaging height</b>	89,00 mm
<b>Operating temperature range (min, max)</b>	-50°C ... +70°C	<b>Sub-packaging width</b>	110,00 mm
<b>Contact type</b>	silver plated	<b>Sub-packaging weight</b>	0,09 kg
<b>Mating cycles</b>	≥ 200	<b>Sub-packaging volume</b>	0,73 dm <sup>3</sup>
<b>IP degree of protection</b>	IP20 without enclosure, IP66/IP69 with enclosure	<b>Sub-packaging description</b>	Plastic packaging
Further technical details		<b>Sub-packaging quantity</b>	1 Pcs
<b>Characteristics according to EN 61984</b>	16A 500V 6kV 3; 16A 400/690V 6kV 2	<b>Sub-packaging EAN barcode</b>	8015747123549
<b>Insulation resistance</b>	≥ 1 GΩ		
<b>Rated voltage according to UL/CSA</b>	600V		
<b>UL 94 flammability rating</b>	V-0		
<b>Weight</b>	85,00 g		

Part number

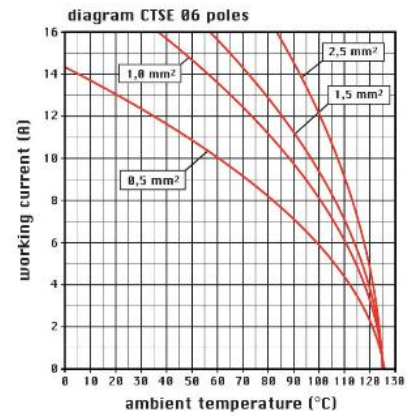
# CTSEF 06 R



Catalogue drawings



Catalogue drawings



## Notes

CTSEF/M 06 L/R inserts

- characteristics according to EN 61984:
  - 16A 500V 6kV 3 (CTE - CTSE)
  - 16A 400/690V 6kV 2 (CTSE)
- can be mated with CNE, CCE, CCS, CSE, CSH inserts
- inserts may be fitted from front of enclosure
- UL, CSA, CCC, GL, GOST certified (CTSE)
- rated voltage according to UL/CSA: 600V
- insulation resistance: > 10 GOhm
- ambient temperature limit: -40 °C ... +125 °C
- are made of self-extinguishing thermoplastic resin UL 94 V0
- mechanical life: > 500 cycles
- contact resistance: < 4 mOhm
- enclosures (only bulkhead mounted housing): size 44.27:
  - C-TYPE IP65/IP66
  - C7 IP67 stainless steel lever
  - V-TYPE IP65/IP66 stainless steel lever
  - T-TYPE IP65 insulating
  - JEI zinc-plated steel lever
  - BIG hoods
  - W-TYPE aggressive environments
  - EMC