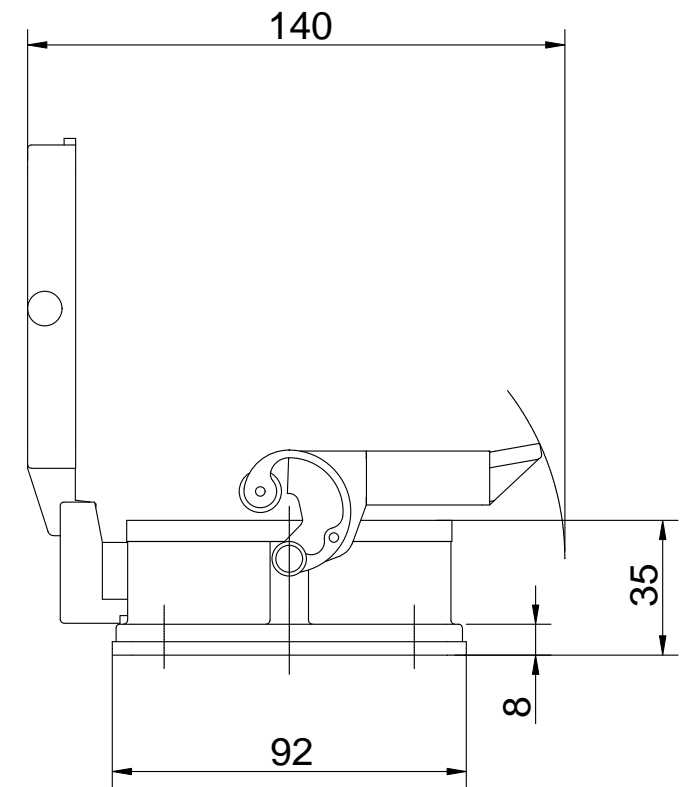
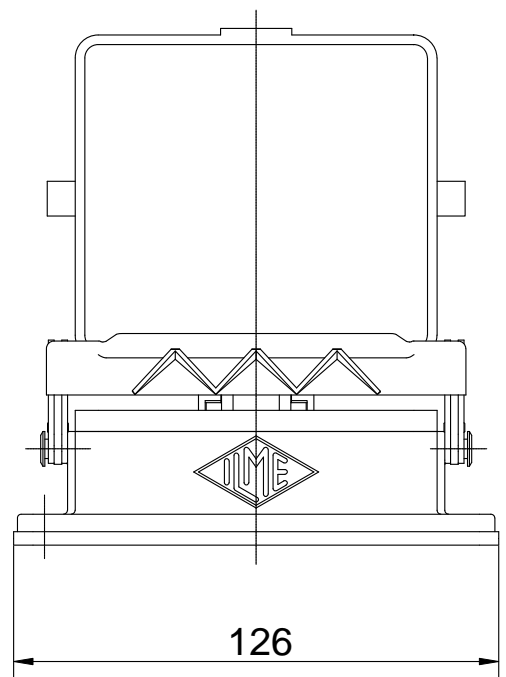
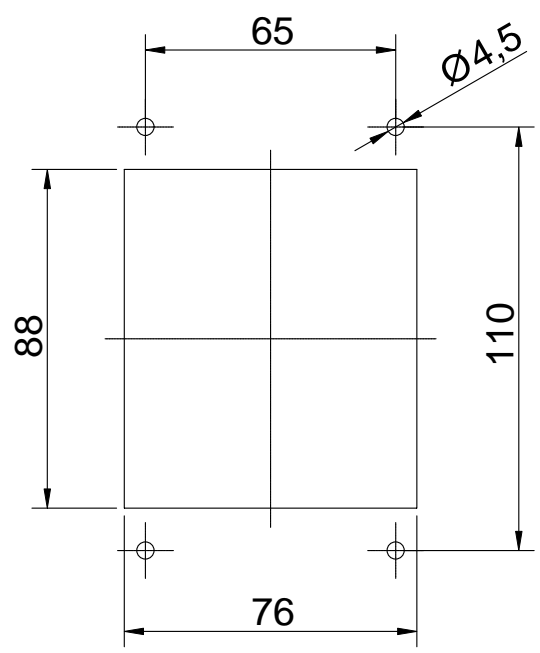


panel cut  
out



Date 04.01.2007	CHI 32 LS		Scale
Sign.	bulkhead h. 1 lev.+cover		1:2
			