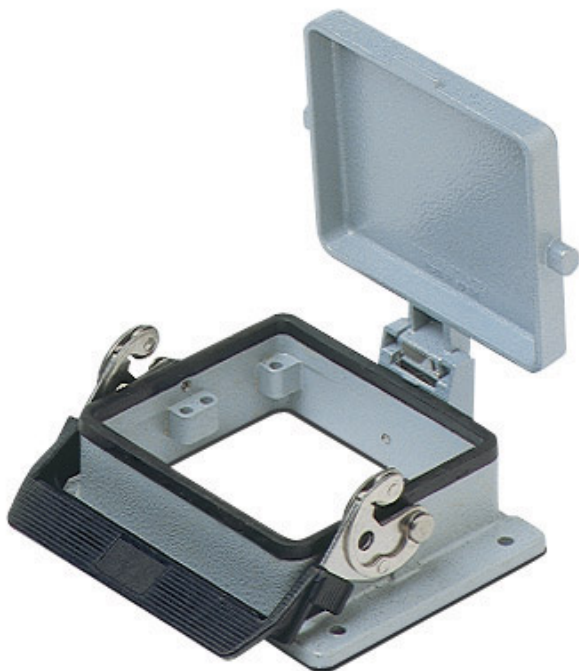


Part number

# CHI 32 LS



Bulkhead mounting housing, C-TYPE series, with 1 lever, size "77.62", with metal cover

## Product description

|                      |                           |
|----------------------|---------------------------|
| <b>Product type</b>  | Bulkhead mounting housing |
| <b>Series</b>        | C-TYPE                    |
| <b>Closing type</b>  | with 1 lever              |
| <b>Size</b>          | size "77.62"              |
| <b>Specification</b> | with metal cover          |

## Technical data

|                                |      |
|--------------------------------|------|
| <b>IP degree of protection</b> | IP65 |
|--------------------------------|------|

## Further technical details

|   |                  |
|---|------------------|
| <b>Weight</b>                                 | 314,50 g         |
| <b>Operating temperature range (min, max)</b> | -40 °C...+125 °C |

## Approvals / Standards

|                       |            |
|-----------------------|------------|
| <b>Certifications</b> | DNV-GL, BV |
|-----------------------|------------|

## General ordering information

|                   |               |
|-------------------|---------------|
| <b>EAN13 code</b> | 8015747018593 |
|-------------------|---------------|

## Packaging Information

|                                  |                      |
|----------------------------------|----------------------|
| <b>Packaging length</b>          | 270,00 mm            |
| <b>Packaging height</b>          | 130,00 mm            |
| <b>Packaging width</b>           | 135,00 mm            |
| <b>Packaging weight</b>          | 1,39 kg              |
| <b>Packaging volume</b>          | 4,74 dm <sup>3</sup> |
| <b>Packaging description</b>     | Carton box           |
| <b>Packaging quantity</b>        | 4 Pcs                |
| <b>Packaging EAN code</b>        | 8015747212861        |
| <b>Sub-packaging weight</b>      | 0,35 kg              |
| <b>Sub-packaging description</b> | Plastic packaging    |
| <b>Sub-packaging quantity</b>    | 1 Pcs                |
| <b>Sub-packaging EAN barcode</b> | 8015747018616        |

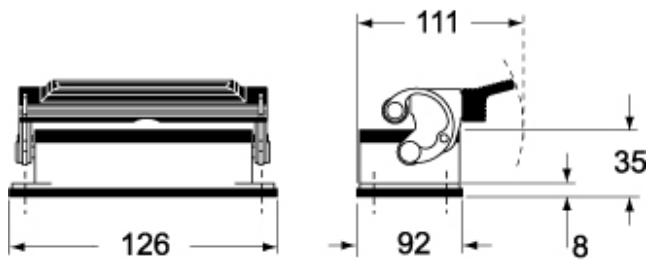
Part number

# CHI 32 LS

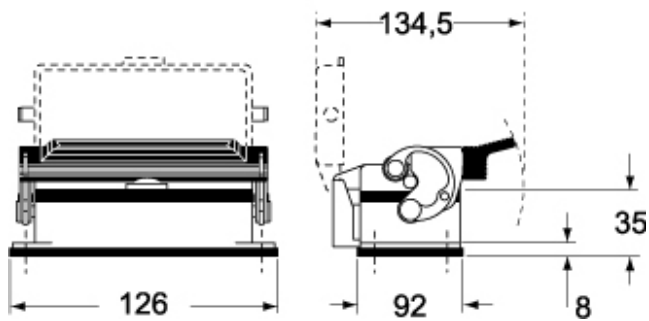


Catalogue drawings

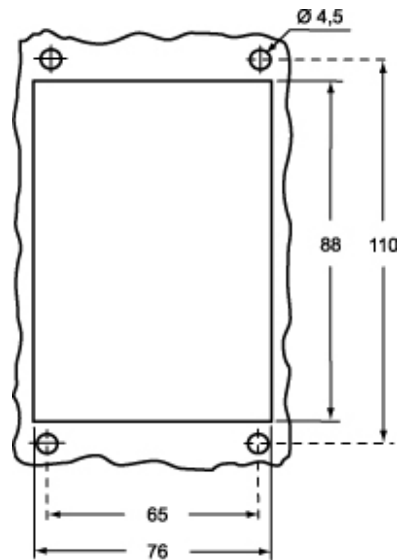
## CHI L



## CHI LS



Catalogue drawings



## Notes

Dimensions shown in mm are not binding and may be changed without notice.