

Part number

# CHI 16 LS



Bulkhead mounting housing, C-TYPE series, with 1 lever, size "77.27", with metal cover

## Product description

<b>Product type</b>	Bulkhead mounting housing
<b>Series</b>	C-TYPE
<b>Closing type</b>	with 1 lever
<b>Size</b>	size "77.27"
<b>Specification</b>	with metal cover

## Technical data

<b>IP degree of protection</b>	IP65
--------------------------------	------

## Further technical details

<b>Weight</b>	194,00 g
<b>Operating temperature range (min, max)</b>	-40 °C...+125 °C

## Approvals / Standards

<b>Certifications</b>	DNV-GL, BV
-----------------------	------------

## General ordering information

<b>EAN13 code</b>	8015747017992
-------------------	---------------

## Packaging Information

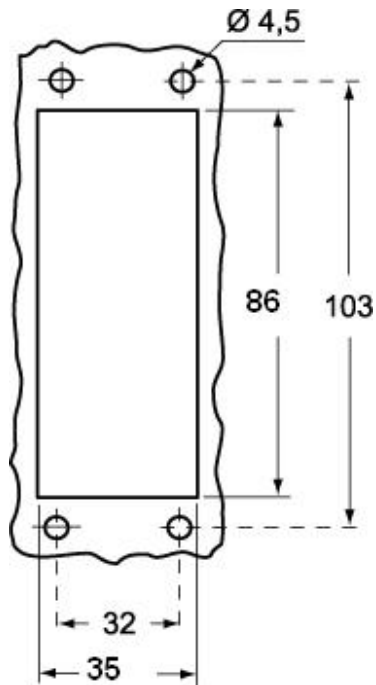
<b>Packaging length</b>	475,00 mm
<b>Packaging height</b>	220,00 mm
<b>Packaging width</b>	200,00 mm
<b>Packaging weight</b>	4,45 kg
<b>Packaging volume</b>	20,90 dm <sup>3</sup>
<b>Packaging description</b>	Carton box
<b>Packaging quantity</b>	20 Pcs
<b>Packaging EAN code</b>	8015747018005
<b>Sub-packaging weight</b>	1,11 kg
<b>Sub-packaging description</b>	Plastic packaging
<b>Sub-packaging quantity</b>	5 Pcs
<b>Sub-packaging EAN barcode</b>	8015747018012

Part number

# CHI 16 LS

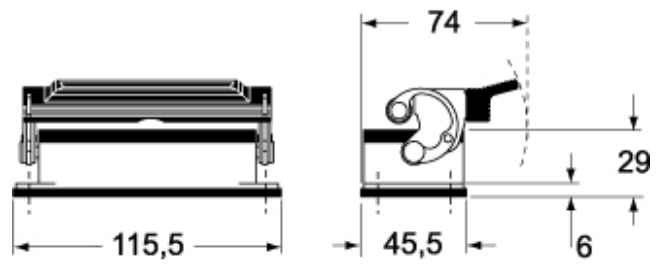


Catalogue drawings

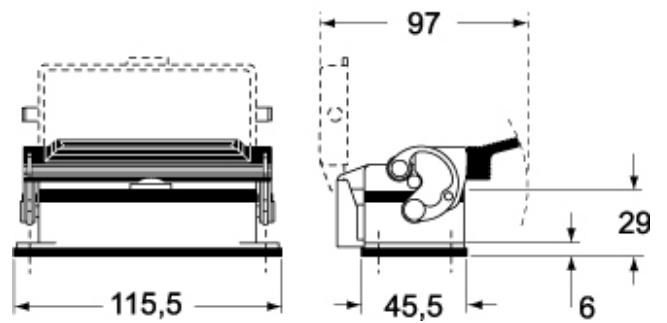


Catalogue drawings

CHI L



CHI LS



## Notes

Dimensions shown in mm are not binding and may be changed without notice.