

Part number

CHI 48 LS



Bulkhead mounting housing, C-TYPE series, with 1 lever, size "104.62", with metal cover

Product description

Product type	Bulkhead mounting housing
Series	C-TYPE
Closing type	with 1 lever
Size	size "104.62"
Specification	with metal cover

Technical data

IP degree of protection	IP65
--------------------------------	------

Further technical details

Weight	649,50 g
Operating temperature range (min, max)	-40 °C...+125 °C

Approvals / Standards

Certifications	DNV-GL, BV
-----------------------	------------

General ordering information

EAN13 code	8015747018708
-------------------	---------------

Packaging Information

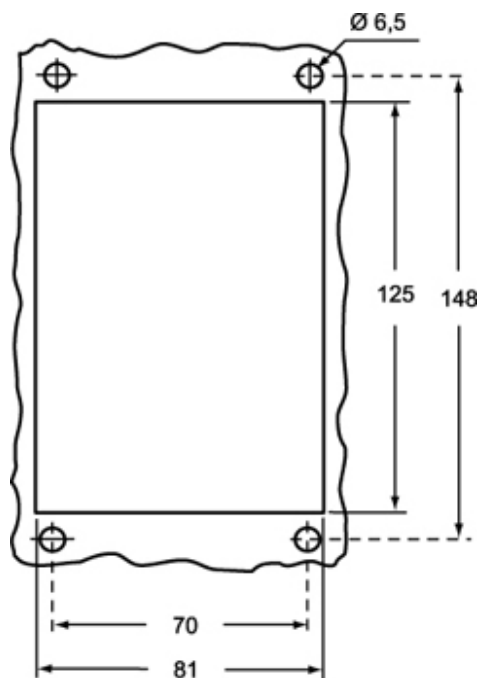
Packaging length	180,00 mm
Packaging height	160,00 mm
Packaging width	300,00 mm
Packaging weight	2,77 kg
Packaging volume	8,64 dm ³
Packaging description	Carton box
Packaging quantity	4 Pcs
Packaging EAN code	8015747018715
Sub-packaging weight	0,69 kg
Sub-packaging description	Plastic packaging
Sub-packaging quantity	1 Pcs
Sub-packaging EAN barcode	8015747018722

Part number

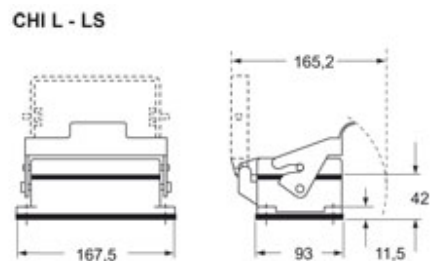
CHI 48 LS



Catalogue drawings



Catalogue drawings



Notes

Dimensions shown in mm are not binding and may be changed without notice.