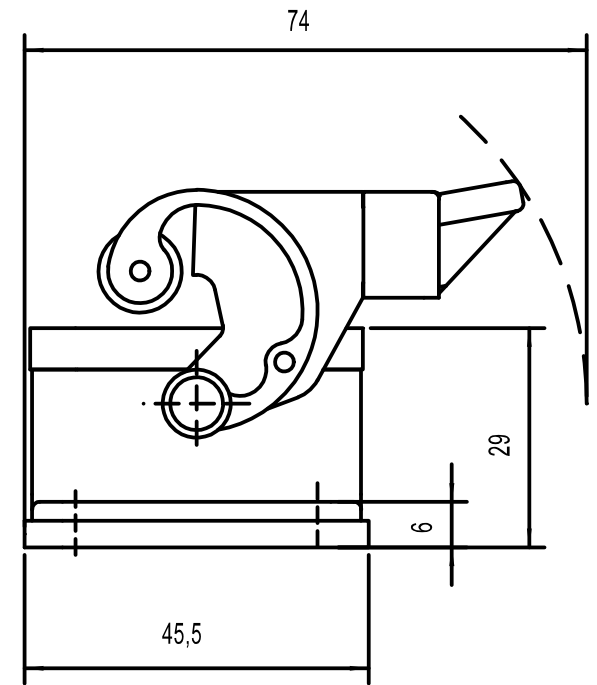
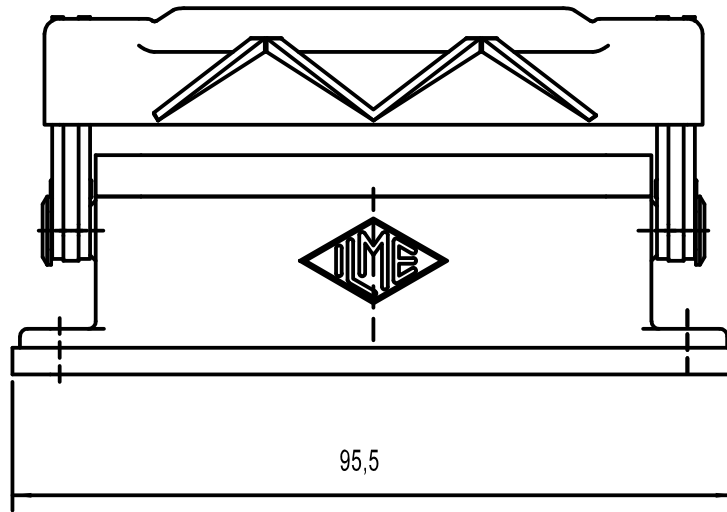
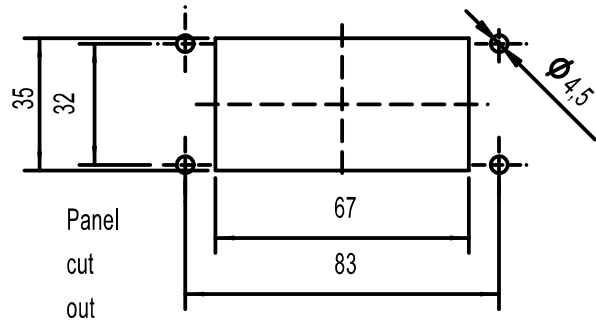


Diritti riservati All rights reserved



Date	10.01.2007	CHI 10 L	Scale
Sign.		bulkhead h. 1 lev.	1:1
			