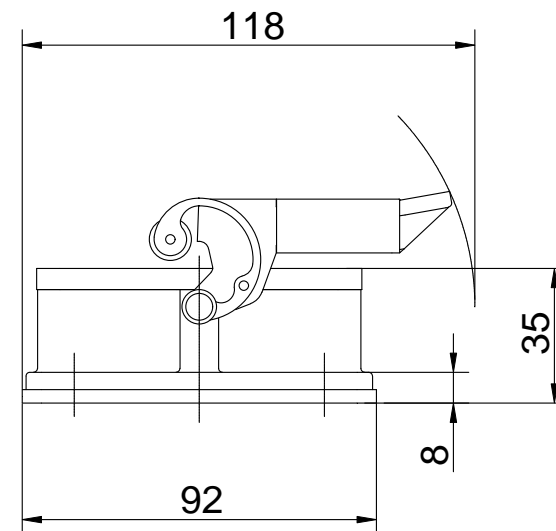
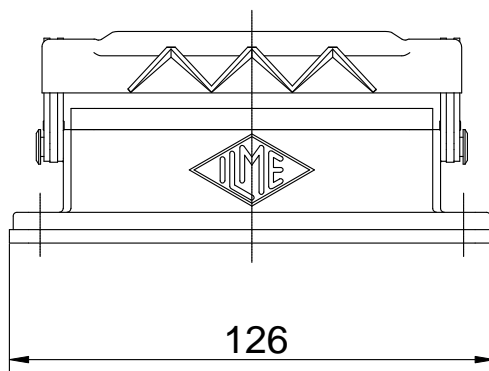
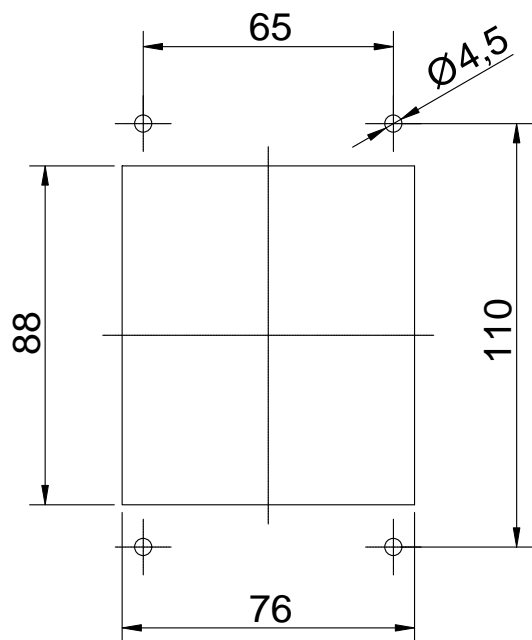



panel cut  
out



Date 04.01.2007	CHI 32 L	Scale	
Sign.	bulkhead h. 1 lev.	1:2	