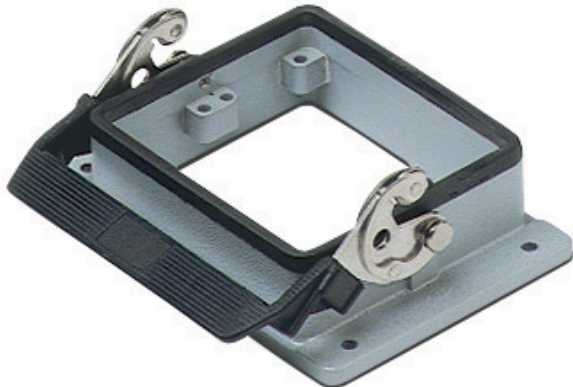


Part number

# CHI 32 L



Bulkhead mounting housing, C-TYPE series,  
with 1 lever, size "77.62"



#### Product description

<b>Product type</b>	Bulkhead mounting housing
<b>Series</b>	C-TYPE
<b>Closing type</b>	with 1 lever
<b>Size</b>	size "77.62"

#### Technical data

<b>IP degree of protection</b>	IP66 (and IP69 DIN 40050 - 9)
--------------------------------	-------------------------------

#### Further technical details

<b>Weight</b>	220,00 g
<b>Operating temperature range (min, max)</b>	-40 °C...+125 °C

#### Approvals / Standards

<b>Certifications</b>	DNV-GL, BV
-----------------------	------------

#### General ordering information

<b>EAN13 code</b>	8015747018579
-------------------	---------------

#### Packaging Information

<b>Packaging length</b>	225,00 mm
<b>Packaging height</b>	130,00 mm
<b>Packaging width</b>	150,00 mm
<b>Packaging weight</b>	1,00 kg
<b>Packaging volume</b>	4,39 dm <sup>3</sup>
<b>Packaging description</b>	Carton box
<b>Packaging quantity</b>	4 Pcs
<b>Packaging EAN code</b>	8015747210430
<b>Sub-packaging weight</b>	0,25 kg
<b>Sub-packaging description</b>	Plastic packaging
<b>Sub-packaging quantity</b>	1 Pcs
<b>Sub-packaging EAN barcode</b>	8015747210447

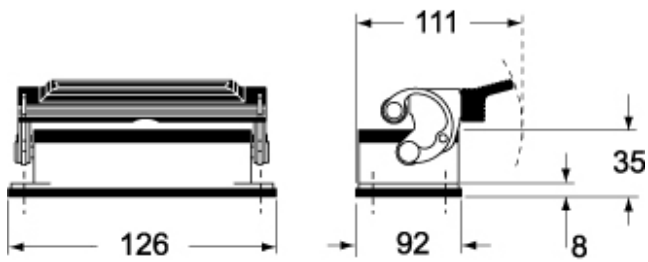
Part number

# CHI 32 L

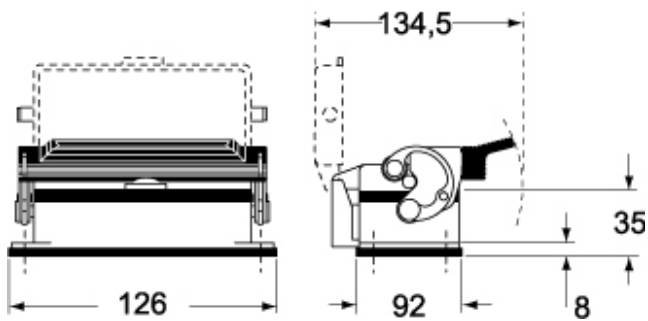


Catalogue drawings

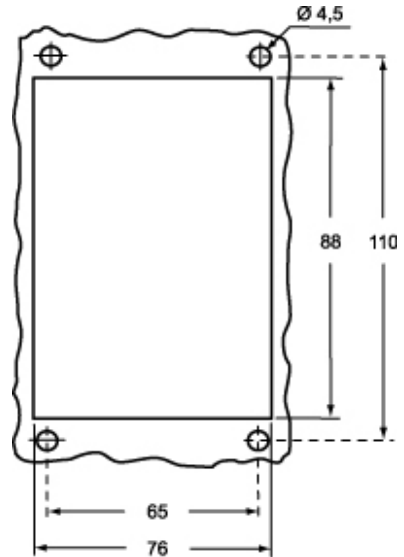
## CHI L



## CHI LS



Catalogue drawings



## Notes

Dimensions shown in mm are not binding and may be changed without notice.