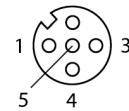


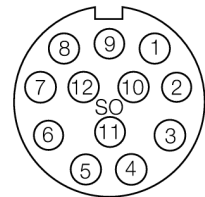
**Passive actuator/sensor junction box, M12 x 1  
4-port, with male M23 for incoming line  
TB-4M12-4-CS12T**

- Housing material: Nylon
- Housing color: black
- Protection class IP67
- RoHS conform
- cULus approval submitted
- I/O port (number of pins): 3-pin + PE

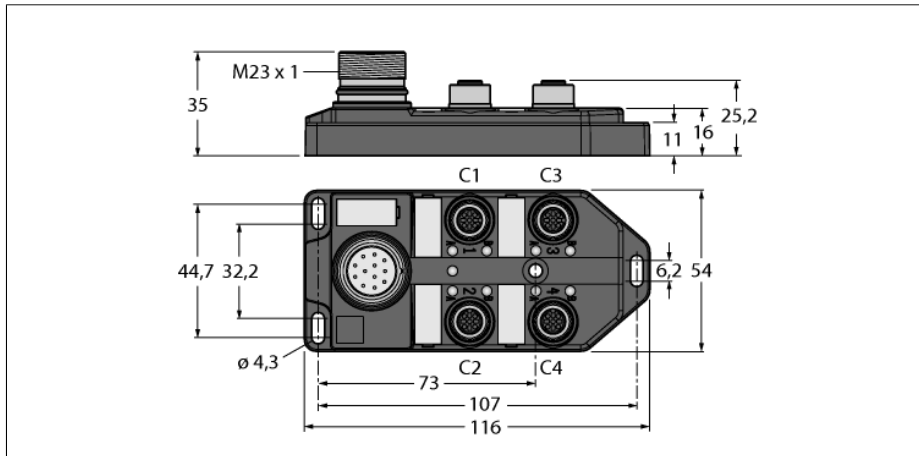
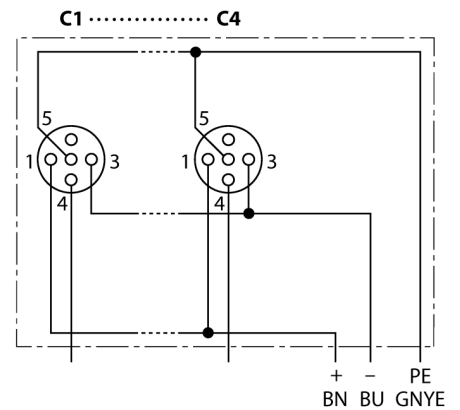
I/O port M12 x 1



Male flange M23 x 1



circuit diagram



<b>Type</b>	TB-4M12-4-CS12T
Ident-No.	6611900
<b>I/O junction box</b>	4-port, with male end M23 x 1
Housing	plastic, PA 6 GF, black
I/O port	female connector, M12 x 1
Number of pins	3+PE
Thread insert	metal, CuZn, nickel-plated
Contact carriers	plastic, PA, black
Contacts	metal, CuZn, gold-plated
Seal	plastic, FPM (Viton)
Mechanical lifespan	> 100 mating cycles
<b>male flange connectors</b>	M23 x 1
Number of pins	12-pole
Flange housing	metal, CuZn, nickel-plated
Flange connector seal	plastic, NBR
Contact carriers	plastic, PBT, white
Contacts	metal, CuZn, gold-plated
Mechanical lifespan	> 100 contact durability
<b>Rated voltage [Umax]</b>	10  30V
Ampacity	2 A per signal contact, total current 9 A
Forward resistance	≤ 5 mΩ
Insulation resistance	≥ 10 <sup>8</sup> Ω
Ambient temperature junction	-40 ... +85°C
Degree of protection	IP67
Pollution degree	only in screwed-on condition 3

## Passive actuator/sensor junction box, M12 x 1 4-port, with male M23 for incoming line TB-4M12-4-CS12T

### Wiring

Port/Pin	C1/4	C2/4	C3/4	C4/4
M23 flange	1	2	3	4
Cable	WH	GN	YE	GY

Power C1-C4	24 V	0 V	PE
M23 flange	11	9 + 10	12
Cable	BN	BU	GNYE

### Scope of delivery

Device	Quantity	Description
Junction box	1	Passive actuator/sensor junction box
VZ 3	2	Closure caps for female M12
KS9/20	5	Labels

### Accessories

Ident no.	Designation	Description
6900197	CK12-0	Field-wireable female M23, 12-pin, straight
6931889	CS12-0	Field-wireable male M23, 12-pin, straight
6931780	CKCM12-11-5/S90	Connection cable, female M23, straight, 12-pin, 5 m *
6931781	CKCM12-11-10/S90	Connection cable, female M23, straight, 12-pin, 10 m *
6931885	CKCWM12-11-5/S90	Connection cable, female M23, angled, 12-pin, 5 m *
6931886	CKCWM12-11-10/S90	Connection cable, female M23, angled, 12-pin, 10 m *
6931782	CSCM-CKCM12-11-5/S90	Extension cable, male M23 - female M23, straight, 12-pin, 5 m *
6931783	CSCM-CKCM12-11-10/S90	Extension cable, male M23 - female M23, straight, 12-pin, 10 m *
6931887	CSCM-CKCWM12-11-5/S90	Extension cable, male M23 straight - female M23 angled, 12-pin, 5 m *
6931888	CSCM-CKCWM12-11-10/S90	Extension cable, male M23 straight - female M23 angled, 12-pin, 10 m *
6625616	RKC5T-2-RSC5T/TXL	Actuator/sensor cable, female M12 - male M12, straight, 5-pin, 2 m *
8000004	VZ 3	Closure caps for female M12
8015002	KS9/20	Labels

\* Other lengths available on request