

## CT - CTSE series

### Inserts with incorporated terminal block for multipole connectors (16A max versions)

#### Use.

The CT - CTSE series multipole connectors (with incorporated terminal block) are recommended for greater cost-saving and safety for use on machines and command and control panels.

The CT - CTSE series inserts (16A max versions) are supplied in the plug or socket versions and may be mounted with insertion from the front of the enclosure (Figure 1 for all the polarities of the inserts) or with insertion from the rear of the enclosure (Figure 2, only for 16 and 24-pole inserts).

As an alternative to the traditional terminal blocks, the inserts can be mounted inside the control panels on DIN EN rails (Figure 5) using suitable accessories providing the added advantage of easy sectioning.

The special structure of the CT - CTSE inserts has all the conductor connections on the same side providing for easier wiring and a complete view of the work area.

The terminal block also has slots for housing the identification wire markers of each contact.

Wire markers of different manufacturers may be used such as: Cabur, Grafoplast, Modernotecnica, Phoenix, Siemens, Wago, Weidmüller.

The CT - CTSE series is available in the versions "left" and "right" for mounting on the left (Figure 3) or on the right (Figure 4) of the control panel walls.

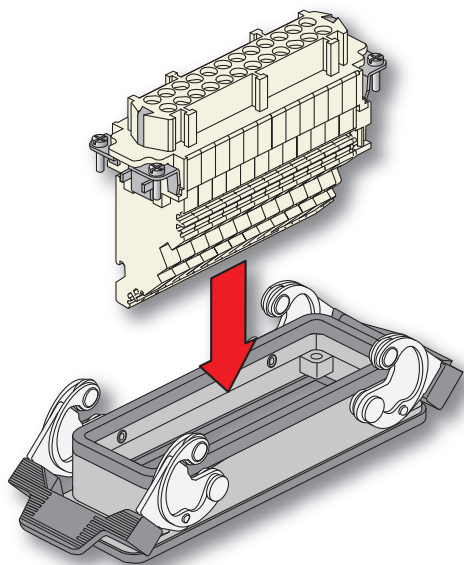
This characteristic is determined by the position of contact "1" and the ground terminal in the upper part of the insert terminal block for both left and right mounting.

The installation of inserts on DIN rails (Figure 5) inside the control panels is usually made to facilitate the wiring into sectionable parts.

In this case the degree of protection for coupled connectors is IP20 (in accordance with EN 60529).

This type of mounting requires supports (CT APE) to be provided to the inserts suitable for mounting on DIN EN 60715 rails.

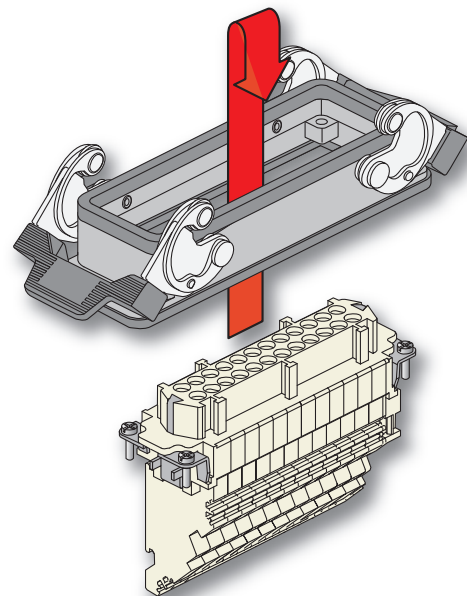
Furthermore, to ensure a stable and secure mating between the CT and CTSE inserts installed on DIN rails and counterparts CNE, CSE, CCE, CSH, CSS mating screws CRBF (female) and CRBM (male) are recommended, to replace the ordinary fastening screws to the enclosures (Figure 5).



**Figure 1** (front mounting)

The insert is inserted into the bulkhead housing without wired conductors or with pre-wired conductors that are not connected at the opposite end.

Mounting for inserts of 06, 10, 16 and 24 poles



**Figure 2** (rear mounting)

The insert is inserted into the bulkhead housing with pre-wired conductors connected at the opposite end.

Mounting for inserts of 16 and 24 poles

Except version T-TYPE

# CT - CTSE series

## Inserts with incorporated terminal block for multipole connectors

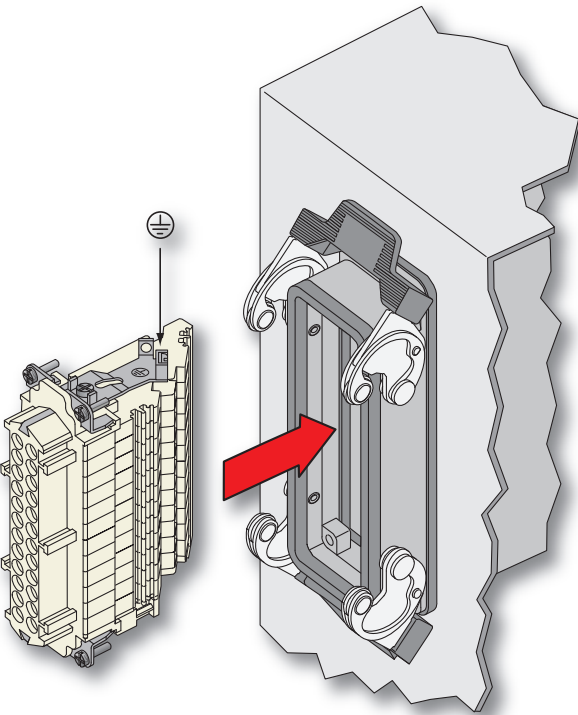


Figure 3 (left mounting)

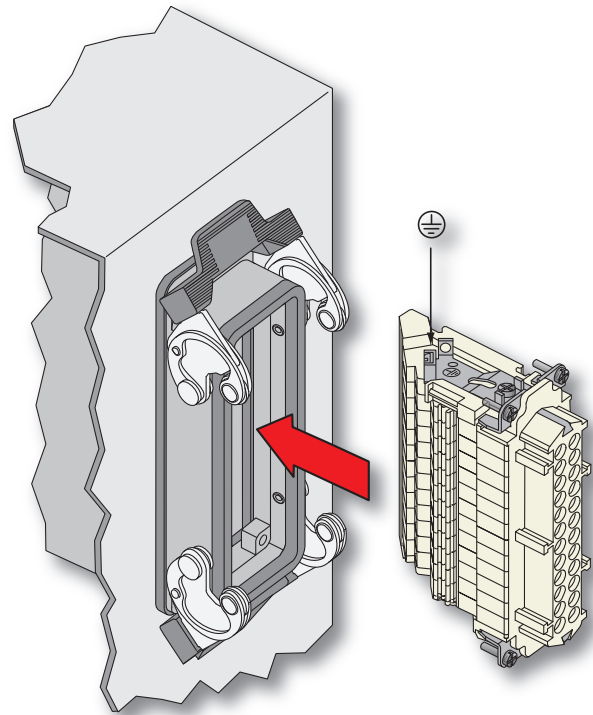


Figure 4 (right mounting)

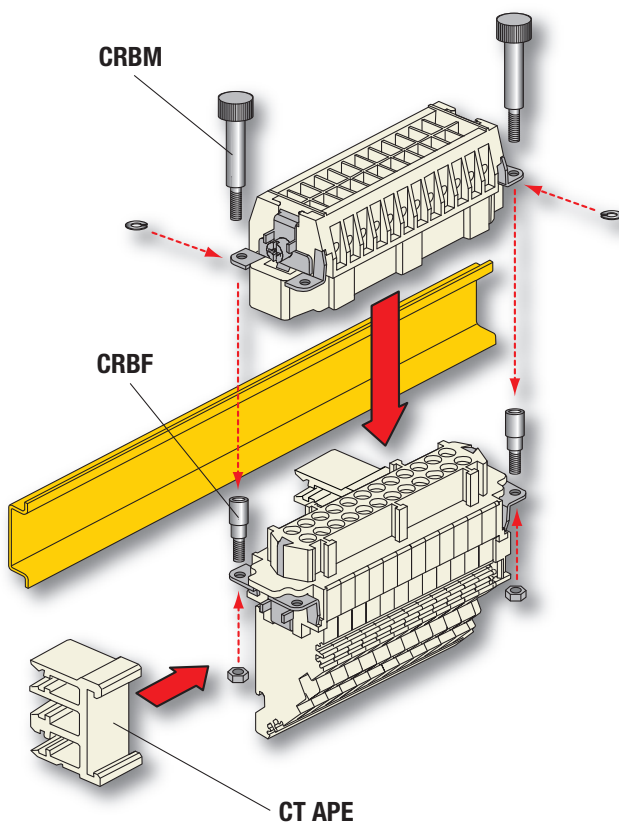
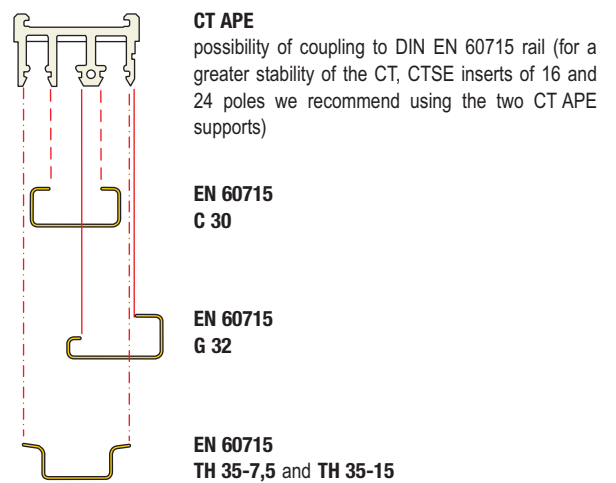


Figure 5 (mounting on DIN rail)



Accessories for CT, CTSE inserts

- support for mounting on DIN rail (**CT APE** page 476)
- inserts coupling screws (**CRBM** and **CRBF** page 476)
- cable-clamping plates (**CRAD** and **CRAS** page 476)