


Part number

CX 04 BF



Brief description:

female insert, 4 poles + shield, shielded connectors, 10A 50V, 0,8kV, 3, modular units series MIXO

Product description		Approvals / Standards	
Model	female insert	Reference standard	EN 61984:2009-06
Version	shielded connectors	Quality mark	 EAC
Product type	for female contacts 10A	Conformity	CQC
Style	four contacts seat + shield	General ordering information	
Family	MIXO series, customizable inserts	EAN13 code	8015747095983
N. of poles	4 poles + shield	Tariff number	85369095
Technical data		Packaging Information	
Current	10 A (A.C. and D.C.)	Packaging weight	0,29 kg
Voltage	50 V	Packaging description	Carton box
Rated impulse withstand voltage	0,8kV	Packaging quantity	10 Pcs
Pollution degree	3	Packaging EAN code	8015747095990
Operating temperature range (min, max)	-40°C ... +70°C	Sub-packaging length	105,00 mm
IP degree of protection	IP20 without enclosure, IP65/IP66/IP68/IP69 with enclosure	Sub-packaging height	70,00 mm
Further technical details		Sub-packaging width	110,00 mm
Characteristics according to EN 61984	10A 50V 0.8kV 3	Sub-packaging weight	0,03 kg
Insulation resistance	≥ 10 GΩ	Sub-packaging volume	0,81 dm ³
Rated voltage according to UL/CSA	50V	Sub-packaging description	Plastic bag
UL 94 flammability rating	V-0	Sub-packaging quantity	1 Pcs
Weight	29,00 g	Sub-packaging EAN barcode	8015747096003

Part number

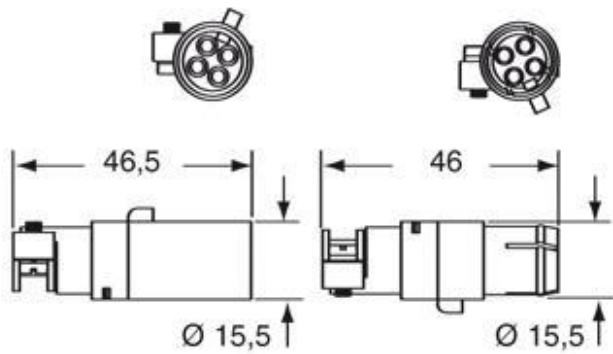
CX 04 BF



Catalogue drawings

CX 04 BF

CX 04 BM



Notes

CX 04 B inserts:

- characteristics according to EN 61984:
(10A 50V 0,8kV 3)

the modular inserts must be installed in suitable frames which in turn
are installed in traditional housings or COB panel support