

Data Sheet

710121

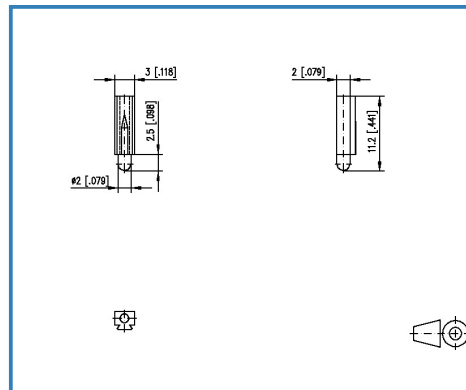
Page 1/4

P/N

710121-2

2018/02/01

Illustration



see enlarged drawing at the end of the document

Product specification

- The coding pin is inserted into the groove in the back of the terminal block
- This method of coding does not result in any circuit loss
- Variants: 710121-2 short, 710122-2 long



Data Sheet

710121

Page 2/4

P/N

710121-2

2018/02/01

Technical Data

Material

| | |
|---------------------|-------|
| insulating material | PA66 |
| Color | black |



Data Sheet

710121

Page 3/4

P/N

710121-2

2018/02/01

Accessories to

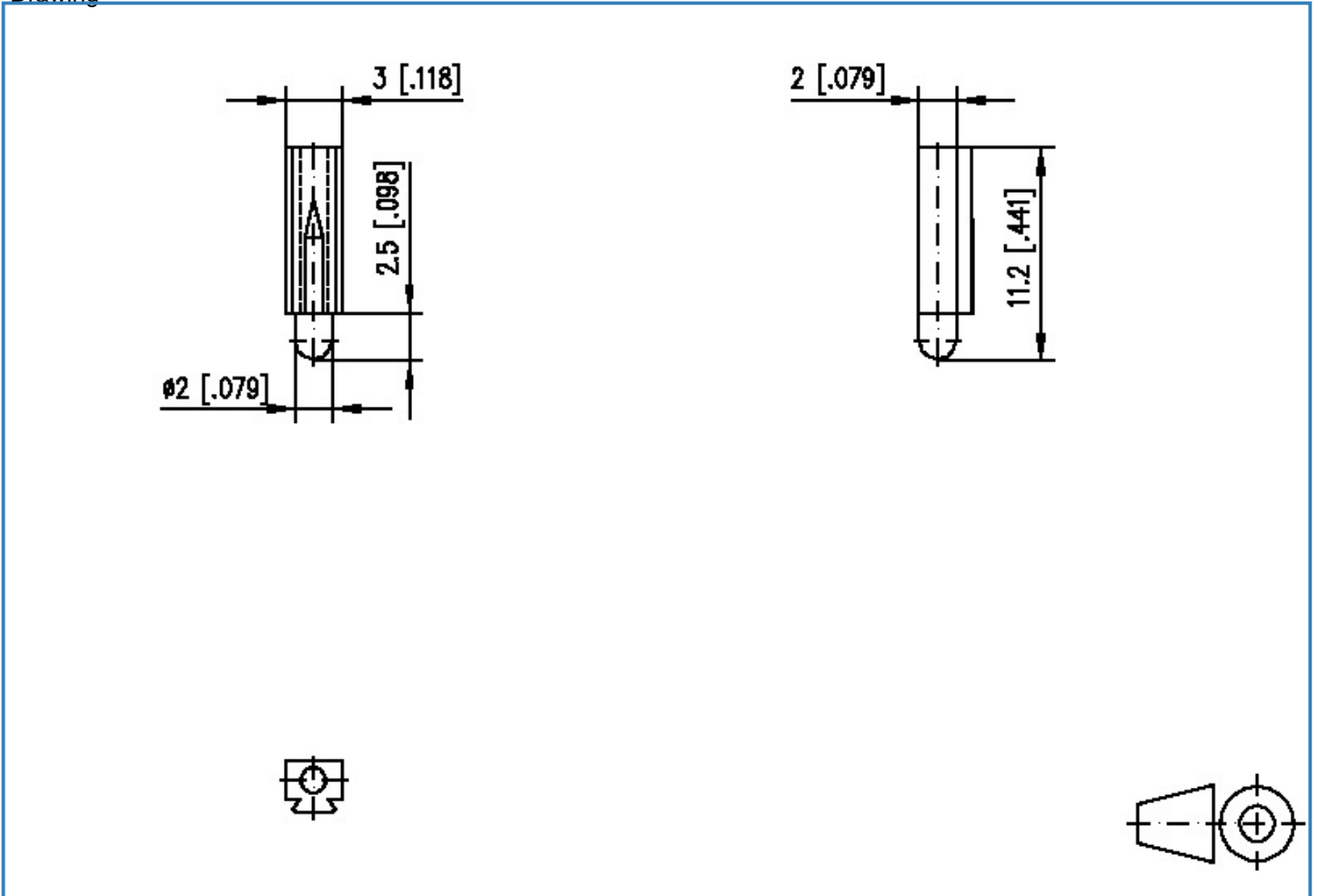
| P/N | -5 |
|---------------------|---------------------|
| 310071 | RP025xxIBWC Typ 007 |
| 311081 | RP025xxMBWC Typ 108 |
| 311072 (on request) | RP029xxHBWC Typ 107 |
| 311071 | RP025xxHBWC Typ 107 |
| 310792 (on request) | RP02AxxIBWU Typ 079 |
| 310791 | RP026xxIBWU Typ 079 |
| 310772 (on request) | RP029xxIBWU Typ 077 |
| 310771 | RP025xxIBWU Typ 077 |
| 310072 | RP029xxIBWC Typ 007 |
| 311082 (on request) | RP029xxMBWC Typ 108 |



Data Sheet
710121

Illustration

Drawing



© 2017 METZ CONNECT - Technische Änderungen vorbehalten! Subject to modifications! Sous réserve de modifications techniques!

