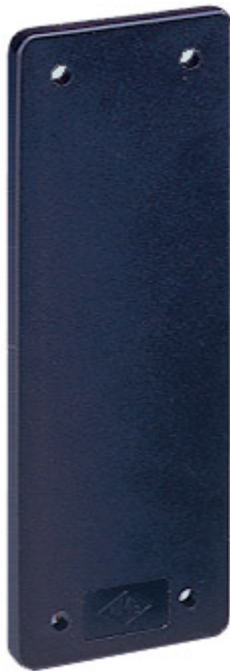


Part number

# CRH 24



## Brief description:

24 pole closure or reduction plate, closure plate CRH 24

### Product description

<b>Series</b>	enclosures connectors accessories
<b>Product type</b>	24 pole closure or reduction plate
<b>Style</b>	closure plate CRH 24
<b>Family</b>	accessories for multipole connectors

### Further technical details

<b>Weight</b>	44,00 g
---------------	---------

### General ordering information

<b>EAN13 code</b>	8015747038621
<b>Tariff number</b>	85369095

### Packaging Information

<b>Packaging length</b>	230,00 mm
<b>Packaging height</b>	110,00 mm
<b>Packaging width</b>	180,00 mm
<b>Packaging weight</b>	2,20 kg
<b>Packaging volume</b>	4,55 dm <sup>3</sup>
<b>Packaging description</b>	Carton box
<b>Packaging quantity</b>	50 Pcs
<b>Packaging EAN code</b>	8015747038638
<b>Sub-packaging weight</b>	0,22 kg
<b>Sub-packaging description</b>	Plastic packaging
<b>Sub-packaging quantity</b>	5 Pcs
<b>Sub-packaging EAN barcode</b>	8015747038645

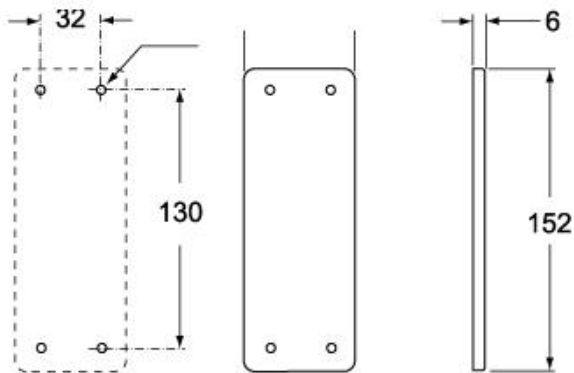
Part number

# CRH 24

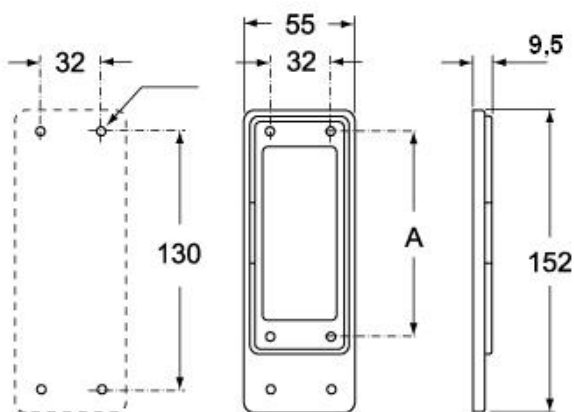


## Catalogue drawings

### CRH



### CRZ



## Notes

In autoextinguishing thermoplastic resin with gasket in vinyl-nitrile elastomer:

- for enclosures CHI size 44.27
- for enclosures CHI and CMI size 57.27
- for enclosures CHI and CMI size 77.27
- for enclosures CHI and CMI size 104.27