

Part number  
**CRZ 16**



**Brief description:**

24 pole closure or reduction plate, reduction plate CRZ 16

Product description	
<b>Series</b>	enclosures connectors accessories
<b>Product type</b>	24 pole closure or reduction plate
<b>Style</b>	reduction plate CRZ 16
<b>Family</b>	accessories for multipole connectors
Further technical details	
<b>Weight</b>	44,00 g

General ordering information	
<b>EAN13 code</b>	8015747039727
<b>Tariff number</b>	85369095
Packaging Information	
<b>Packaging length</b>	160,00 mm
<b>Packaging height</b>	128,00 mm
<b>Packaging width</b>	350,00 mm
<b>Packaging weight</b>	2,20 kg
<b>Packaging volume</b>	7,17 dm <sup>3</sup>
<b>Packaging description</b>	Carton box
<b>Packaging quantity</b>	50 Pcs
<b>Packaging EAN code</b>	8015747039734
<b>Sub-packaging weight</b>	0,22 kg
<b>Sub-packaging description</b>	Plastic packaging
<b>Sub-packaging quantity</b>	5 Pcs
<b>Sub-packaging EAN barcode</b>	8015747039741

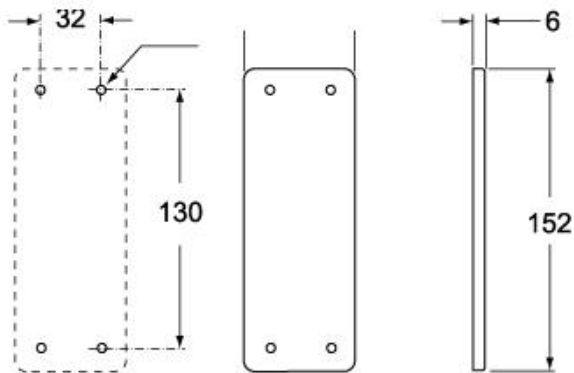
Part number

# CRZ 16

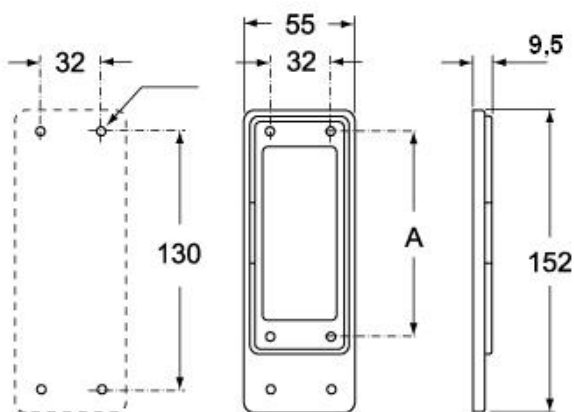


Catalogue drawings

**CRH**



**CRZ**



## Notes

In autoextinguishing thermoplastic resin with gasket in vinyl-nitrile elastomer:

- for enclosures CHI size 44.27
- for enclosures CHI and CMI size 57.27
- for enclosures CHI and CMI size 77.27
- for enclosures CHI and CMI size 104.27