



Part number
CSSF 06



Brief description:

female insert, 6 poles + PE, connection with dual spring terminal , 16A, 500V, 6kV, 3, silver plated, size "44.27", CLASS insert series

Product description		Approvals / Standards	
Model	female insert	Reference standard	EN 61984:2009-06
Version	connection with dual spring terminal	Quality mark	 , EAC
Series	CSS	Conformity	CQC, CE
Product type	with female contacts	General ordering information	
Family	CLASS inserts	EAN13 code	8015747115704
Size	size "44.27"	Tariff number	85369095
N. of poles	6 poles + 	Country of origin	Made in EU (IT)
Technical data		ETIM classification	EC000438
Current	16 A (A.C. and D.C.)	Packaging Information	
Voltage	500 V	Packaging length	240,00 mm
Rated impulse withstand voltage	6kV	Packaging height	220,00 mm
Pollution degree	3	Packaging width	210,00 mm
Wire cross-section	0,14 mm ² - 2,50 mm ²	Packaging weight	4,10 kg
AWG size	26 - 14	Packaging volume	11,09 dm ³
Operating temperature range (min, max)	-40°C ... +125°C	Packaging description	Carton box
Contact type	silver plated	Packaging quantity	60 Pcs
Mating cycles	≥ 500	Packaging EAN code	8015747215619
IP degree of protection	IP20 without enclosure, IP65/IP66/IP68/IP69 with enclosure	Sub-packaging length	197,00 mm
Further technical details		Sub-packaging height	44,00 mm
Characteristics according to EN 61984	16A 500V 6kV 3; 16A 400/690V 6kV 2	Sub-packaging width	113,00 mm
Insulation resistance	≥ 10 GΩ	Sub-packaging weight	0,68 kg
Rated voltage according to UL/CSA	600V	Sub-packaging volume	0,98 dm ³
UL 94 flammability rating	V-0	Sub-packaging description	Carton tray
Weight	62,00 g	Sub-packaging quantity	10 Pcs
		Sub-packaging EAN barcode	8015747115742

Part number

CSSF 06



Catalogue drawings

Catalogue drawings

CSSF / CSSM 06

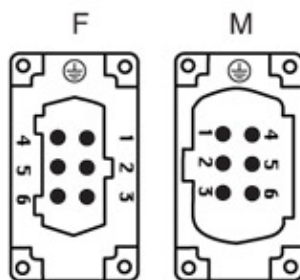
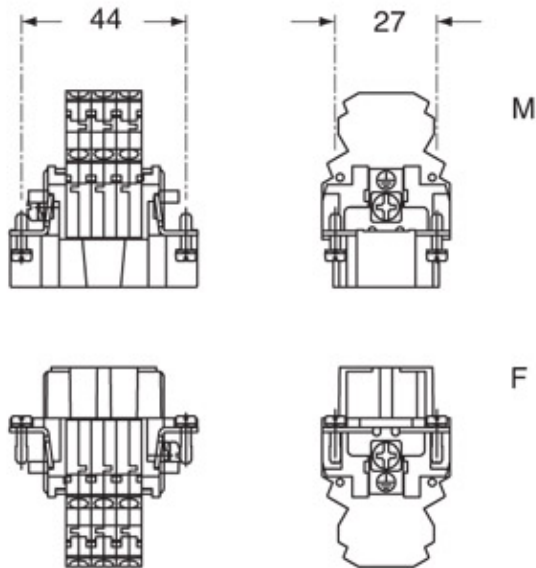
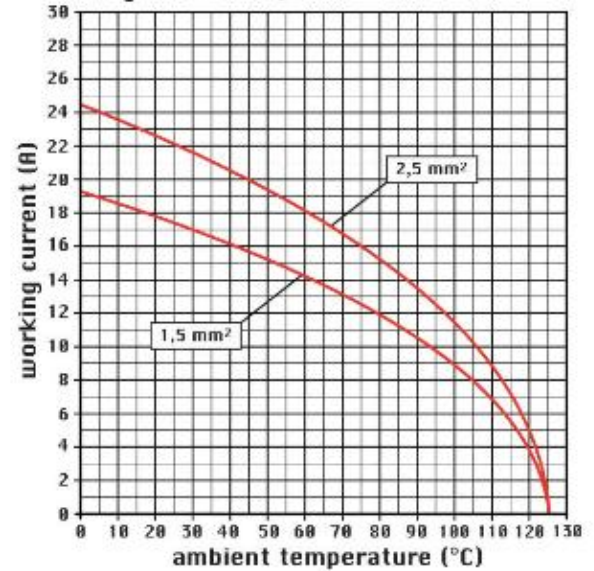


diagram CSS 06 poles



Notes

CSSF/M 06 inserts:

- can be mated with CNE, CSE, CCE, CTE, CTSE, CSH inserts

- characteristics according to EN 61984:

16A 500V 6kV 3

16A 400/690V 6kV 2

- rated voltage according to UL/CSA: 600V

- insulation resistance: > 10 GOhm

- ambient temperature limit: -40 °C ... +125 °C

- are made of self-extinguishing thermoplastic resin UL 94 V0

- mechanical life: > 500 cycles

- contact resistance: < 3 mOhm

- enclosures: size "44.27":

C-TYPE IP65/IP66
C7 IP67 stainless steel lever
V-TYPE IP65/IP66
stainless steel lever
T-TYPE IP65 insulating
JEI zinc-plated steel lever
BIG hoods
W-TYPE aggressive environments
EMC
central lever
IP68
- panel supports: COB
