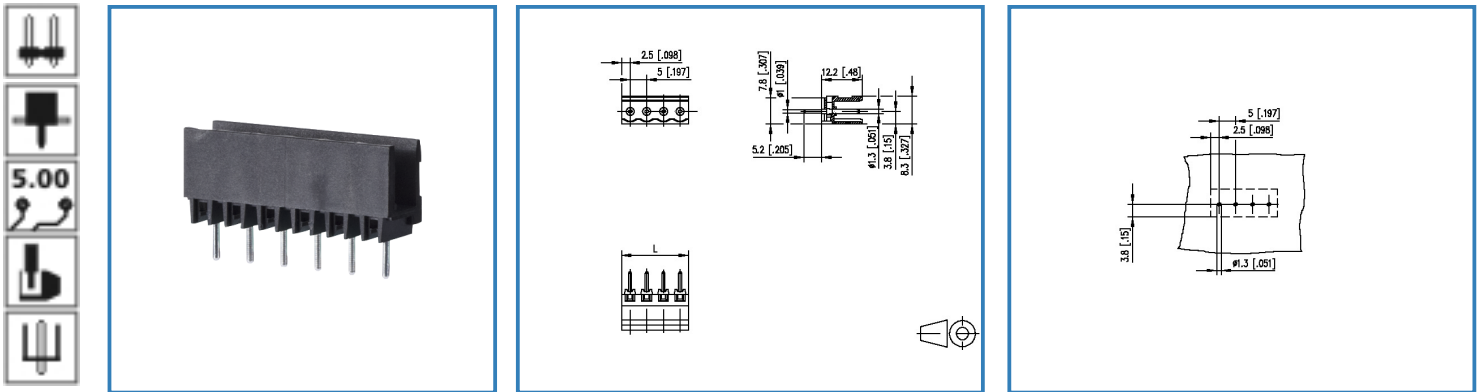


# Data Sheet

## PT045xxVBEC

### Illustration



see enlarged drawing at the end of the document

### Product specification

- pin header, solderable
- centerline 5.00 mm, direction of connection vertical 0°
- open ends, fittable without loss of poles
- color black

# Data Sheet



## PT045xxVBEC

### Technical Data

#### General Data

Solder pin length	5.2 mm		
min. number of poles	2		
max. number of poles	22		
Insulating material class	CTI 600		
clearance/creepage dist.	3.7 mm		
protection category	IP 00		
Overvoltage category	III	III	II
Pollution degree	3	2	2
Rated voltage	250.0 V	630.0 V	630.0 V
Rated test voltage	4.0 kV	4.0 kV	4.0 kV

#### Approvals

 V / A	300 / 15
	10 A / 250 V / 4 kV / 3 /

#### Material

insulating material	PA66
flammability class	V0
Glow-Wire Flammability GWFI	960 °C acc. to IEC 60695-2-12
Glow-Wire Flammability GWIT	775 °C acc. to IEC 60695-2-13
contact pin material	CuZn
contact pin surface	Ni + Ag

#### Climatic properties

upper limit temperature	105 °C
lower limit temperature	-40 °C

#### General

solderability	Acc. to JEDEC JESD22-B102E 245°C/5s
Tolerance	ISO 2768 -mH



# Data Sheet

## PT045xxVBEC

Page 3/5

P/N

310191xx

xx=number of poles

2018/02/01

### Matching Part to

P/N	Product name
310091	RP015xxWBWC Typ 009
310131	RP035xxIBLN Typ 013
310261	FT085xxVBFC Type 026
310491	RP015xxWBLC Typ 049

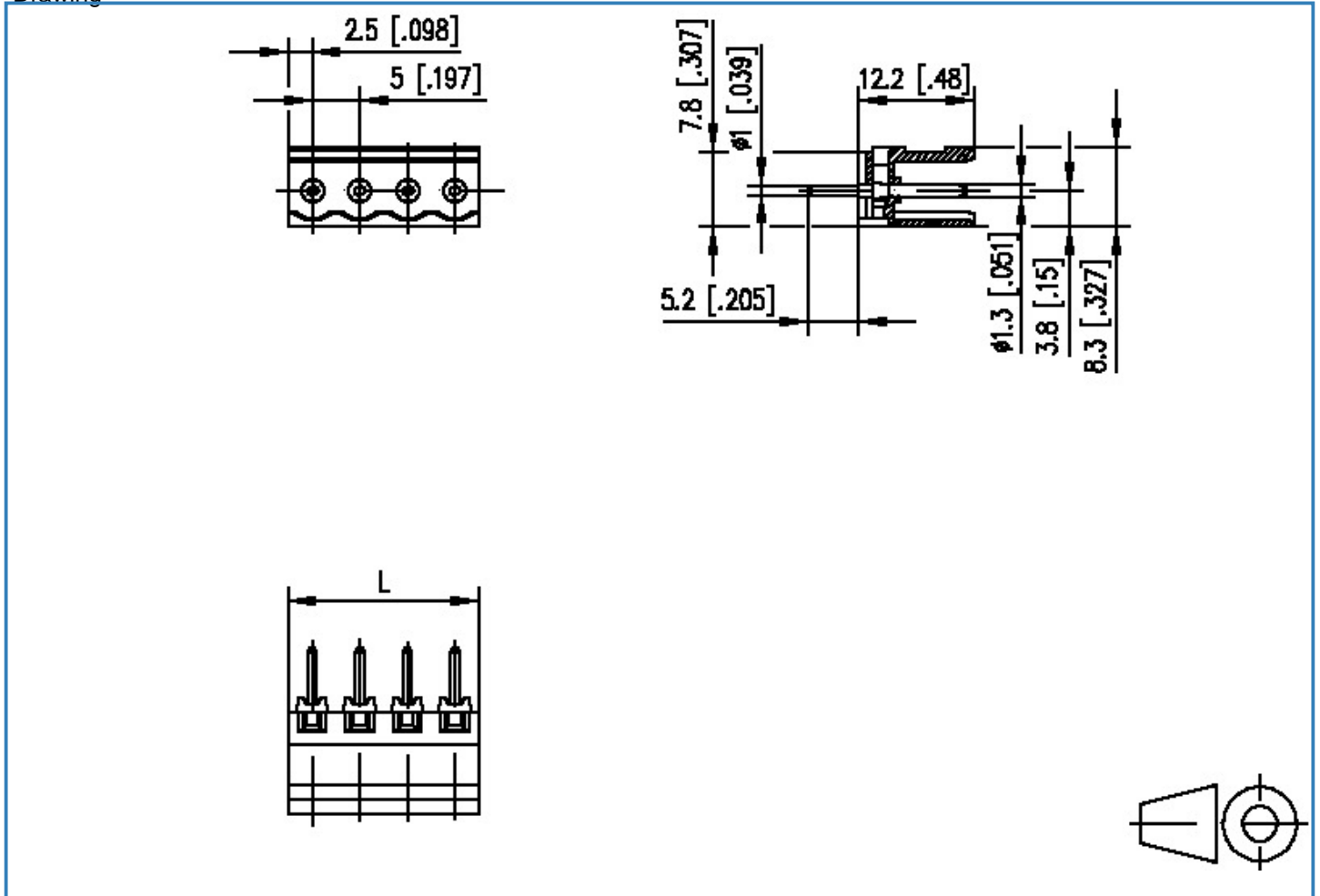


# Data Sheet

## PT045xxVBEC

### Illustration

Drawing



$$L = (\text{pole size} - 1) \times \text{centerline} + 5 [0.197]$$

# Data Sheet

## PT045xxVBEC

Page 5/5

P/N

310191xx

xx=number of poles

2018/02/01

### PCB Layout

