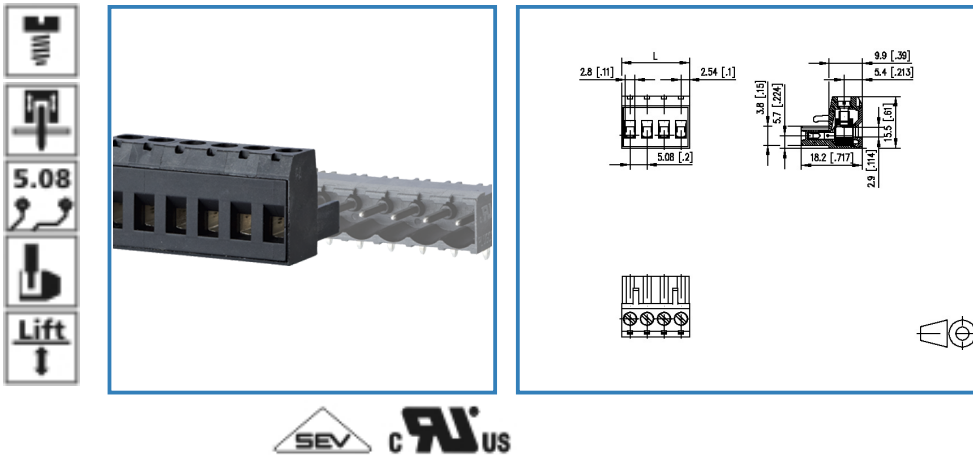


Data Sheet

RP016xxVBLC

Illustration



see enlarged drawing at the end of the document

Product specification

- screw type terminal block, Stecker
- centerline 5.08 mm, direction of connection vertical 0°
- lift system, fittable without loss of poles
- color black
- wire entry codeable side perpendicular to plug direction

Data Sheet

RP016xxVBLC

Technical Data

General Data


Tightening torque SEV	0.5 Nm		
Tightening torque UL	4.5 lb-in		
min. number of poles	2		
max. number of poles	24		
Insulating material class	CTI 600		
clearance/creepage dist.	3.6 mm		
protection category	IP 20		
Overvoltage category	III	III	II
Pollution degree	3	2	2
Rated voltage	160.0 V	400.0 V	400.0 V
Rated test voltage	2.5 kV	2.5 kV	2.5 kV


Connection data

Rated wiring solid wire	0.08 - 2.5 mm ² / AWG 28 - 12		
Rated wiring stranded wire	0.08 - 2.5 mm ² / AWG 28 - 12		

Approvals

extended wiring UL	2 AWG 16-18, or 1 AWG 16 stranded with 1 AWG 18 solid, or 1 AWG 16 stranded with 1 AWG 18 stranded		
--------------------	--	--	--

 V / A / AWG	300 / 16 / 28 - 12		
--	--------------------	--	--

	13.5 A / 320 V / 4 kV / 3 / / 0.08 - 2.5 mm ²		
--	--	--	--

Material

insulating material	PA66		
flammability class	V0		
contact material	CuSn		
Glow-Wire Flammability GWFI	960 °C acc. to IEC 60695-2-12		
Glow-Wire Flammability GWIT	775 °C acc. to IEC 60695-2-13		
contact surface	Sn		
terminal body material	CuZn		
terminal body surface	Ni		

Data Sheet

RP016xxVBLC

screw surface	Zn Cr(VI)-frei/free
screw thread	M3

Climatic properties

upper limit temperature	105 °C
lower limit temperature	-40 °C

General

Tolerance	ISO 2768 -mH
-----------	--------------



Data Sheet

RP016xxVBLC

Page 4/5

P/N

312491xx

xx=number of poles

2018/02/02

Matching Part

P/N	Product name
311781	PR066xxHBBN Typ 178
314781	PR066xxHBEC Typ 478
312921	PT106xxHGDN Typ 292
312901	PT106xxVGDN Typ 290
312301	PT116xxHBBN Typ 230
312291	PT116xxHBEC Typ 229
312201	PT116xxVBBN Typ 220
312191	PT116xxVBEC Typ 219
311791	PR066xxVBBN Typ 179
314791	PR066xxVBEC Typ 479

Accessories

P/N	Product name
700025-01-9	700025

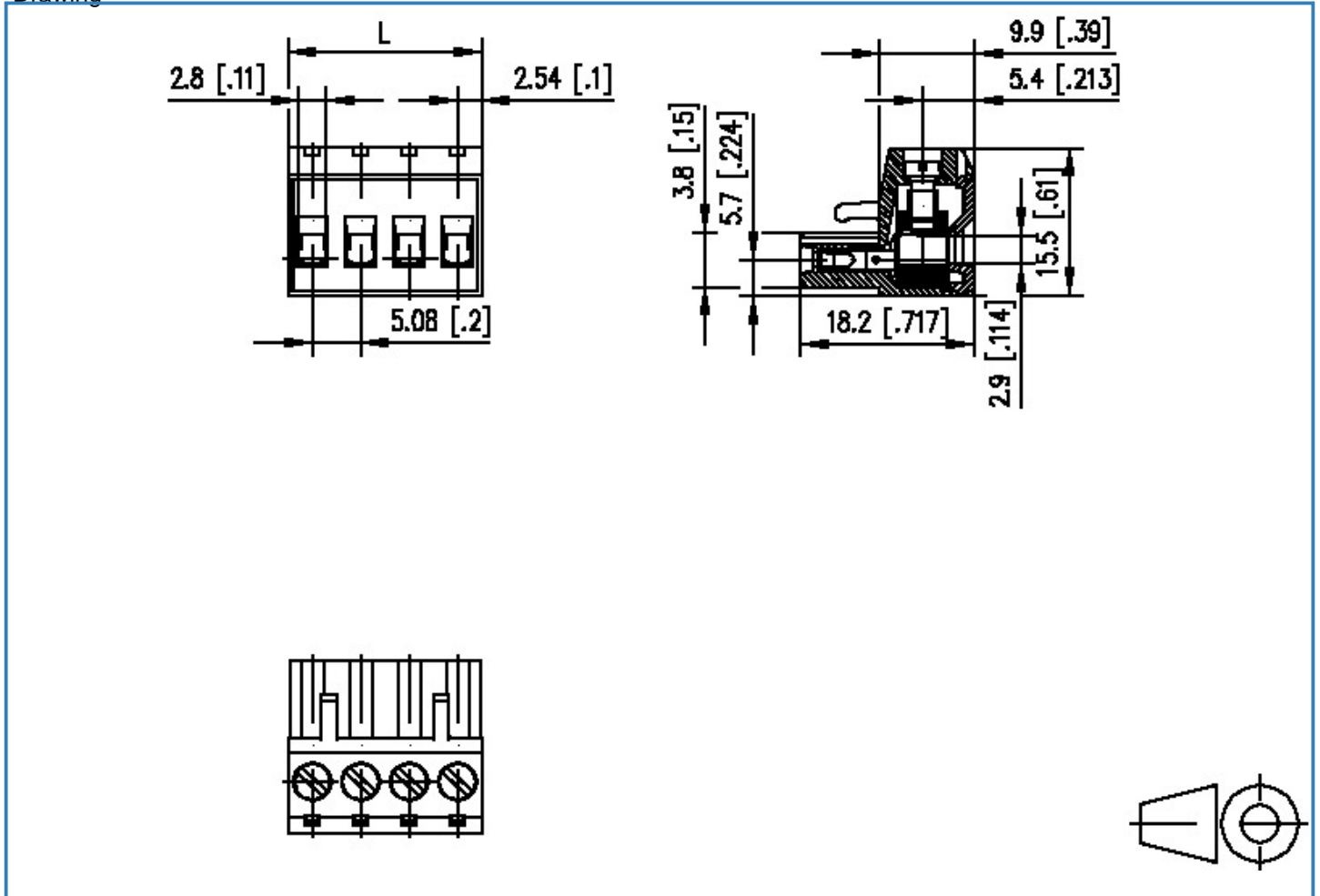


Data Sheet

RP016xxVBLC

Illustration

Drawing



$$L = (\text{pole size} - 1) \times \text{centerline} + 5.08 [0.2]$$