

Data Sheet

716846

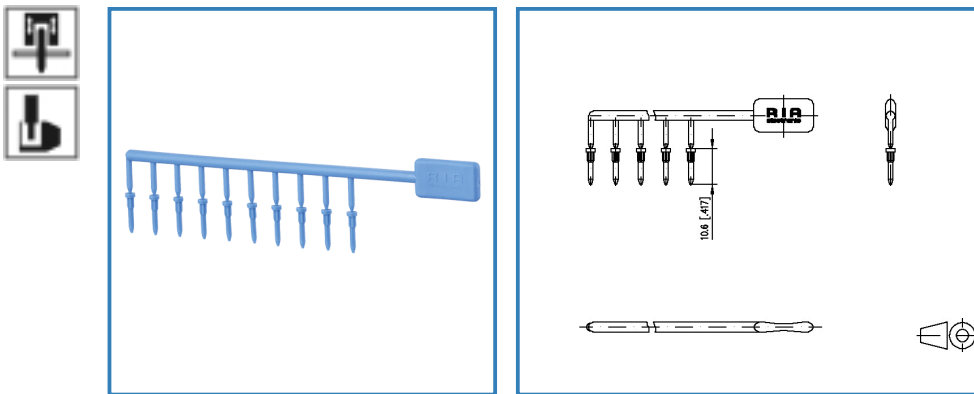
Page 1/4

P/N

716846

2018/02/01

Illustration



see enlarged drawing at the end of the document

Product specification

- The coding pin is inserted into the mating area of the female contact (plug-in). The contact pin should be removed from the respective position of the header.
- This method of coding is associated with a circuit loss
- Group of 10 blue coding pins

© 2017 METZ CONNECT - Technische Änderungen vorbehalten! Subject to modifications! Sous réserve de modifications techniques!



Data Sheet

716846

Page 2/4

P/N

716846

2018/02/01

Technical Data

Material

insulating material	PA66
Color	blue



Data Sheet

716846

Accessories to

P/N	-5
310071	RP025xxIBWC Typ 007
311371	RP025xxIBLC Typ 137
311082 (on request)	RP029xxMBWC Typ 108
311081	RP025xxMBWC Typ 108
311072 (on request)	RP029xxHBWC Typ 107
311071	RP025xxHBWC Typ 107
310792 (on request)	RP02AxxIBWU Typ 079
310791	RP026xxIBWU Typ 079
310772 (on request)	RP029xxIBWU Typ 077
310771	RP025xxIBWU Typ 077
310072	RP029xxIBWC Typ 007
311372 (on request)	RP029xxIBLC Typ 137



Data Sheet

716846

Page 4/4

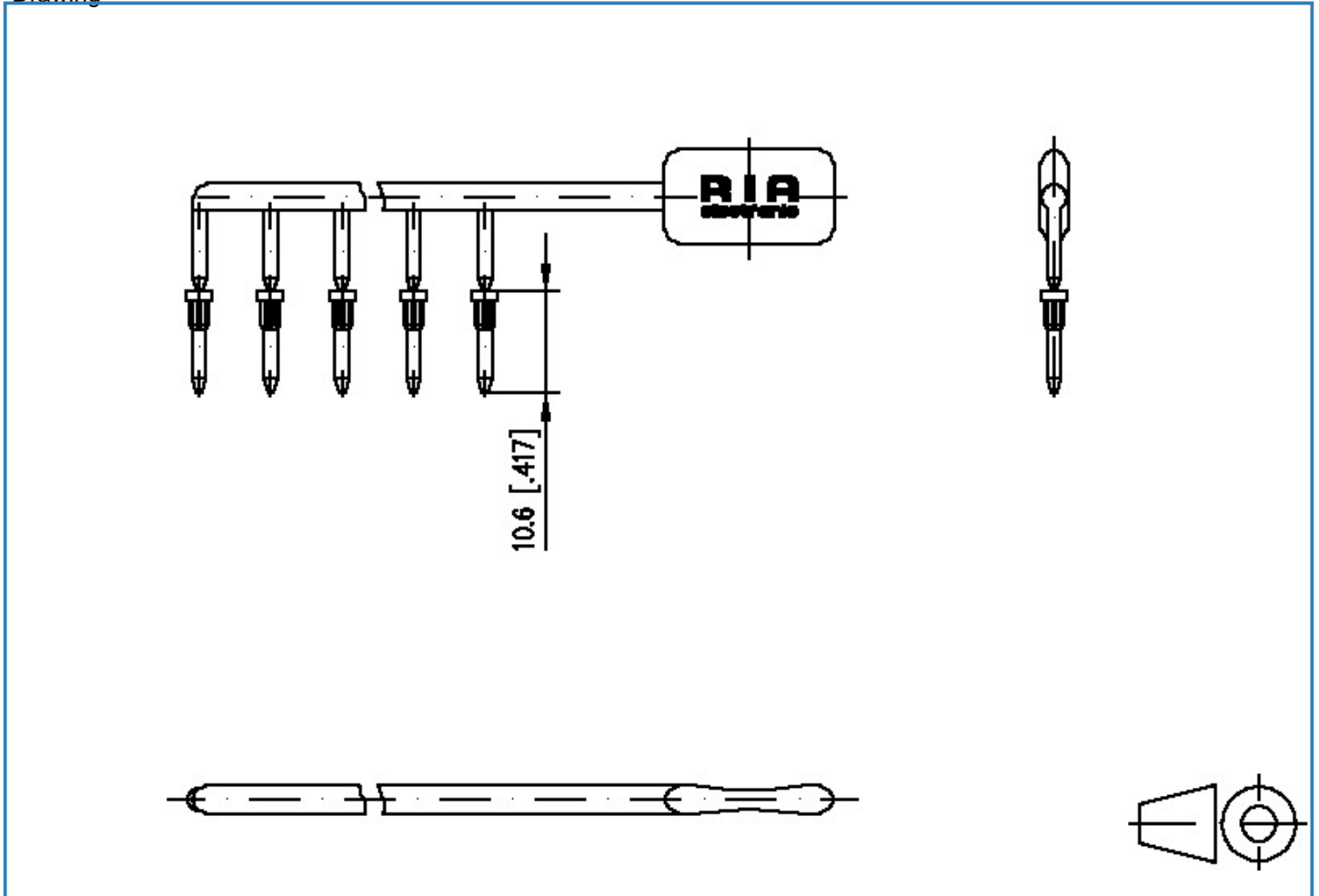
P/N

716846

2018/02/01

Illustration

Drawing



© 2017 METZ CONNECT - Technische Änderungen vorbehalten! Subject to modifications! Sous réserve de modifications techniques!

