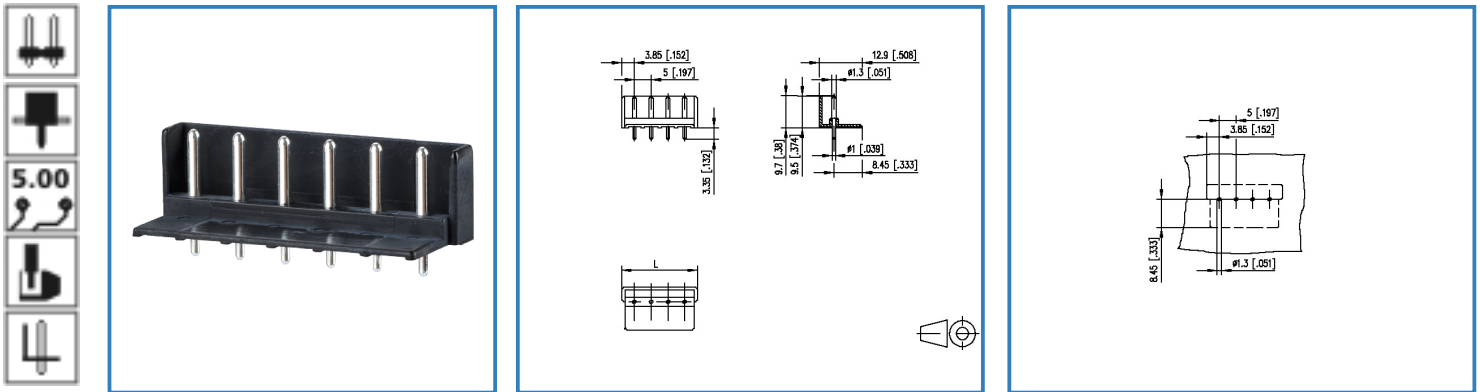


Data Sheet

PT065xxVBEN

Illustration



see enlarged drawing at the end of the document

Product specification

- pin header, solderable
- centerline 5.00 mm, direction of connection vertical 0°
- open ends, guiding ribs
- color black

Data Sheet



PT065xxVBEN

Technical Data

General Data

Solder pin length	3.35 mm		
min. number of poles	2		
max. number of poles	12		
Insulating material class	CTI 600		
clearance/creepage dist.	3.7 mm		
protection category	IP 00		
Overvoltage category	III	III	II
Pollution degree	3	2	2
Rated voltage	250.0 V	630.0 V	630.0 V
Rated test voltage	4.0 kV	4.0 kV	4.0 kV

Approvals

 V / A	300 / 15
	10 A / 250 V / 4 kV / 3 /

Material

insulating material	PA66
flammability class	V0
Glow-Wire Flammability GWFI	960 °C acc. to IEC 60695-2-12
Glow-Wire Flammability GWIT	775 °C acc. to IEC 60695-2-13
contact pin material	CuZn
contact pin surface	Ni + Ag

Climatic properties

upper limit temperature	105 °C
lower limit temperature	-40 °C

General

solderability	Acc. to JEDEC JESD22-B102E 245°C/5s
Tolerance	ISO 2768 -mH

© 2017 METZ CONNECT - Technische Änderungen vorbehalten! Subject to modifications! Sous réserve de modifications techniques!



Data Sheet

PT065xxVBEN

Page 3/5

P/N

310411xx

xx=number of poles

2018/02/01

Matching Part to

P/N	Product name
310071	RP025xxIBWC Typ 007
310771	RP025xxIBWU Typ 077
311071	RP025xxHBWC Typ 107
ASP025	SP025xxHDNC ASP025
ASP0250404	Terminal block ASP02
ASP145XX22-131 (on request)	SP145xxHBPC0001
ASP155XX22-131 (on request)	SP155xxHBPC0001

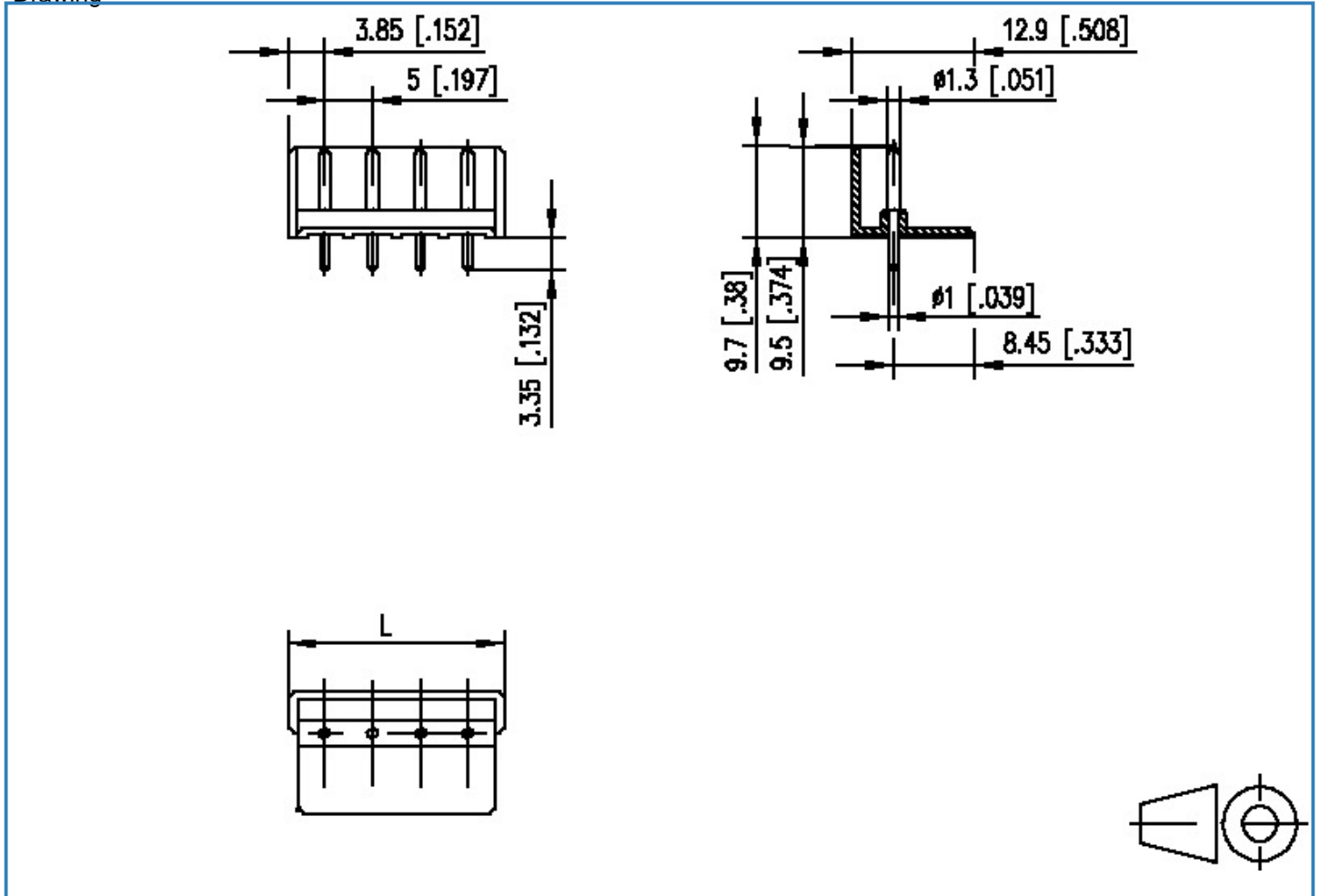


Data Sheet

PT065xxVBEN

Illustration

Drawing



$$L = (\text{pole size} - 1) \times \text{centerline} + 7.7 [0.303]$$

**Data Sheet
PT065xxVBEN**

Page 5/5

P/N

310411xx

xx=number of poles

2018/02/01

PCB Layout

