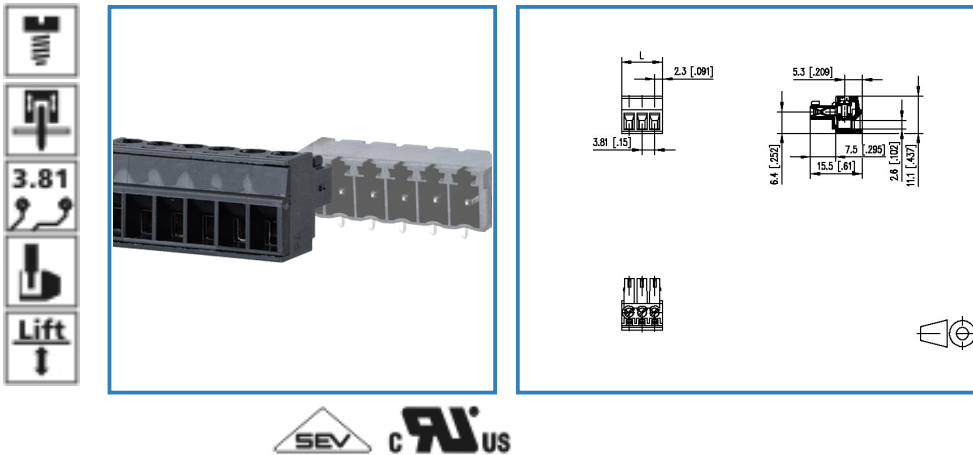


Data Sheet

RP034xxVBLN

Illustration



see enlarged drawing at the end of the document

Product specification

- screw type terminal block, Stecker
- centerline 3.81 mm, direction of connection vertical 0°
- lift system
- color black
- wire entry codeable side perpendicular to plug direction

© 2017 METZ CONNECT - Technische Änderungen vorbehalten! Subject to modifications! Sous réserve de modifications techniques!



Data Sheet

RP034xxVBLN

Technical Data



General Data

Tightening torque SEV	0.25 Nm		
Tightening torque UL	3 lb-in		
min. number of poles	2		
max. number of poles	24		
Insulating material class	CTI 600		
clearance/creepage dist.	3.5 mm		
protection category	IP 20		
Overvoltage category	III	III	II
Pollution degree	3	2	2
Rated voltage	40.0 V	250.0 V	250.0 V
Rated test voltage	1.5 kV	1.5 kV	1.5 kV

Connection data

Rated wiring solid wire	0.08 - 1.5 mm ² / AWG 28 - 16		
Rated wiring stranded wire	0.08 - 1.5 mm ² / AWG 22 - 16		

Approvals

 V / A / AWG	300 / 8 / 28 - 16		
	9 A / 160 V / 2.5 kV / 3 / / 0.08 - 1.5 mm ²		

Material

insulating material	PA66
flammability class	V0
contact material	CuSn
Glow-Wire Flammability GWFI	960 °C acc. to IEC 60695-2-12
Glow-Wire Flammability GWIT	775 °C acc. to IEC 60695-2-13
contact surface	Sn
terminal body material	CuZn
terminal body surface	Ni
screw surface	Zn Cr(VI)-frei/free
screw thread	M2



Data Sheet

RP034xxVBLN

Page 3/5

P/N

313691xx

xx=number of poles

2018/02/02

Climatic properties

upper limit temperature	105 °C
-------------------------	--------

lower limit temperature	-40 °C
-------------------------	--------

General

Tolerance	ISO 2768 -mH
-----------	--------------



Data Sheet

RP034xxVBLN

Page 4/5

P/N

313691xx

xx=number of poles

2018/02/02

Matching Part

P/N	Product name
311901	PR044xxHBBN Typ 190
311911	PR044xxVBBN Typ 191
313821	PT094xxHBBN Typ 382
313831	PT094xxVBBN Typ 383

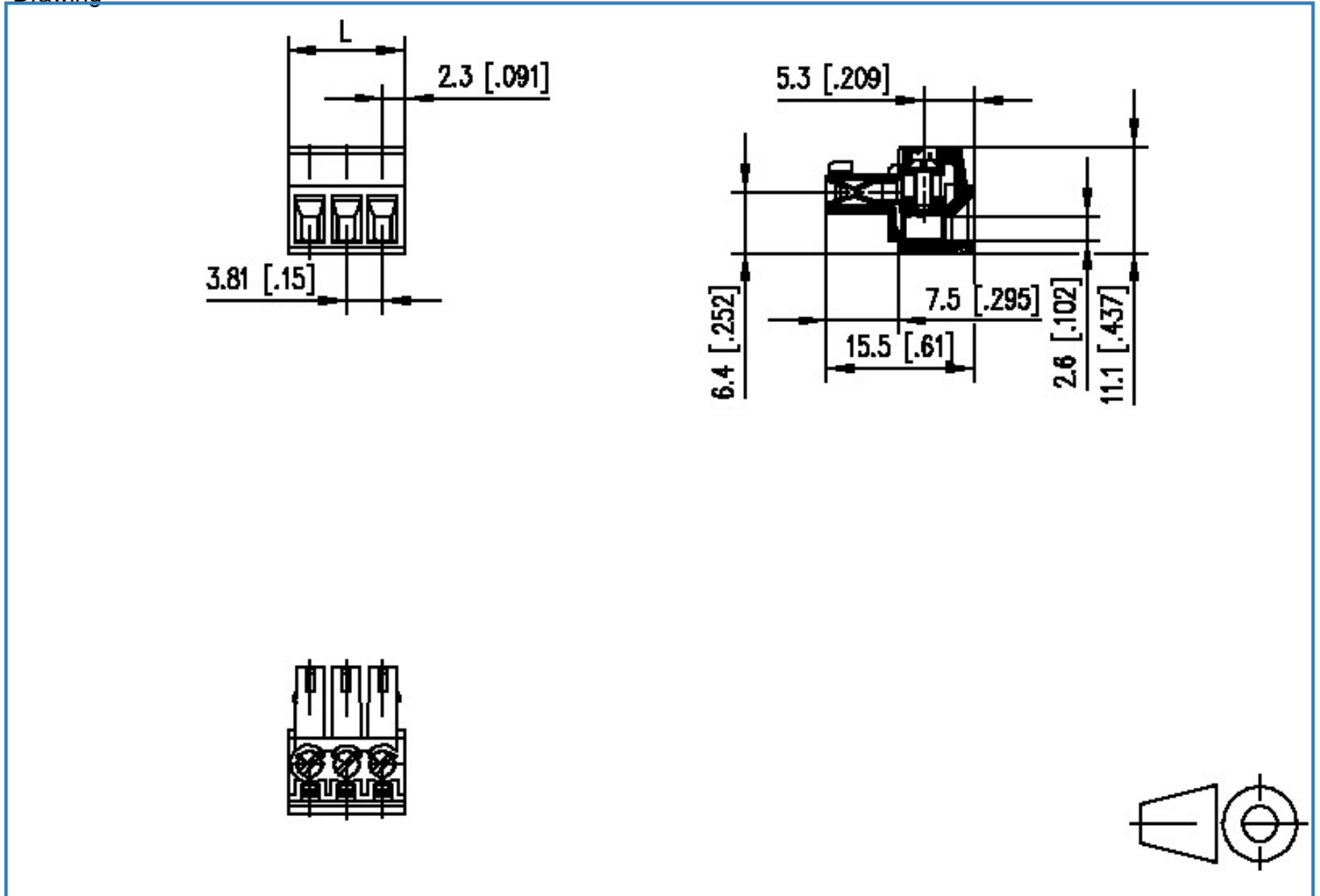


Data Sheet

RP034xxVBLN

Illustration

Drawing



$$L = (\text{pole size} - 1) \times \text{centerline} + 4.6 [0.181]$$