

Data Sheet

SP063xxVGNN

Page 1/5

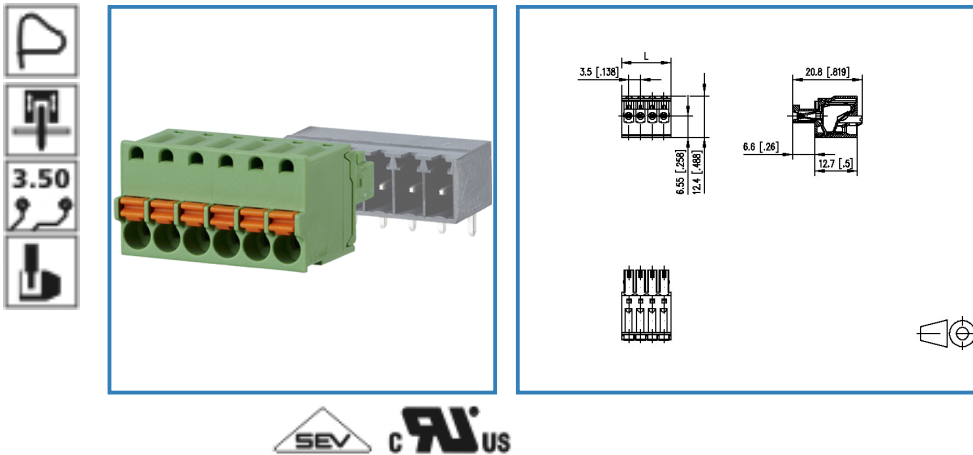
P/N

ASP063xx

xx=number of poles

2017/05/05

Illustration



see enlarged drawing at the end of the document

Product specification

- spring clamp terminal block, pluggable
- centerline 3.50 mm, direction of connection vertical 0°
- color green
- push-button, wire entry uncodeable side parallel to plug direction

Data Sheet

SP063xxVGNN

Page 2/5

P/N

ASP063xx

xx=number of poles

2017/05/05

Technical Data

General Data


min. number of poles	2		
max. number of poles	24		
Insulating material class	CTI 600		
clearance/creepage dist.	1.9 mm		
protection category	IP 20		
Overvoltage category	III	III	II
Pollution degree	3	2	2
Rated voltage	50.0 V	250.0 V	250.0 V
Rated test voltage	2.5 kV	2.5 kV	2.5 kV

Connection data

Rated wiring solid wire	0.08 - 1.5 mm ² / AWG 28 - 16
Rated wiring stranded wire	0.08 - 1.5 mm ² / AWG 28 - 16

Approvals

 V / A / AWG	150 / 8 / 28 - 16
--	-------------------

	8 A / 130 V / 2.5 kV / 3 / IEC 61984 / 0.08 - 1.5 mm ²
--	--

Material

insulating material	PA66
flammability class	V0
spring material	Spring steel
contact material	CuSn
Glow-Wire Flammability GWFI	960
Glow-Wire Flammability GWIT	775
contact surface	Sn

Climatic properties

upper limit temperature	105 °C
lower limit temperature	-40 °C

General

Tolerance	ISO 2768 -mH
-----------	--------------



Data Sheet

SP063xxVGNN

Page 3/5

P/N

ASP063xx

xx=number of poles

2017/05/05



Data Sheet

SP063xxVGNN

Page 4/5

P/N

ASP063xx

xx=number of poles

2017/05/05

Matching Part

P/N	Product name
311881	PR043xxHBBN Typ 188
311891	PR043xxVBBN Typ 189
313421	PT093xxHBBN Typ 342
313431	PT093xxVBBN Typ 343



Data Sheet

SP063xxVGNN

Page 5/5

P/N

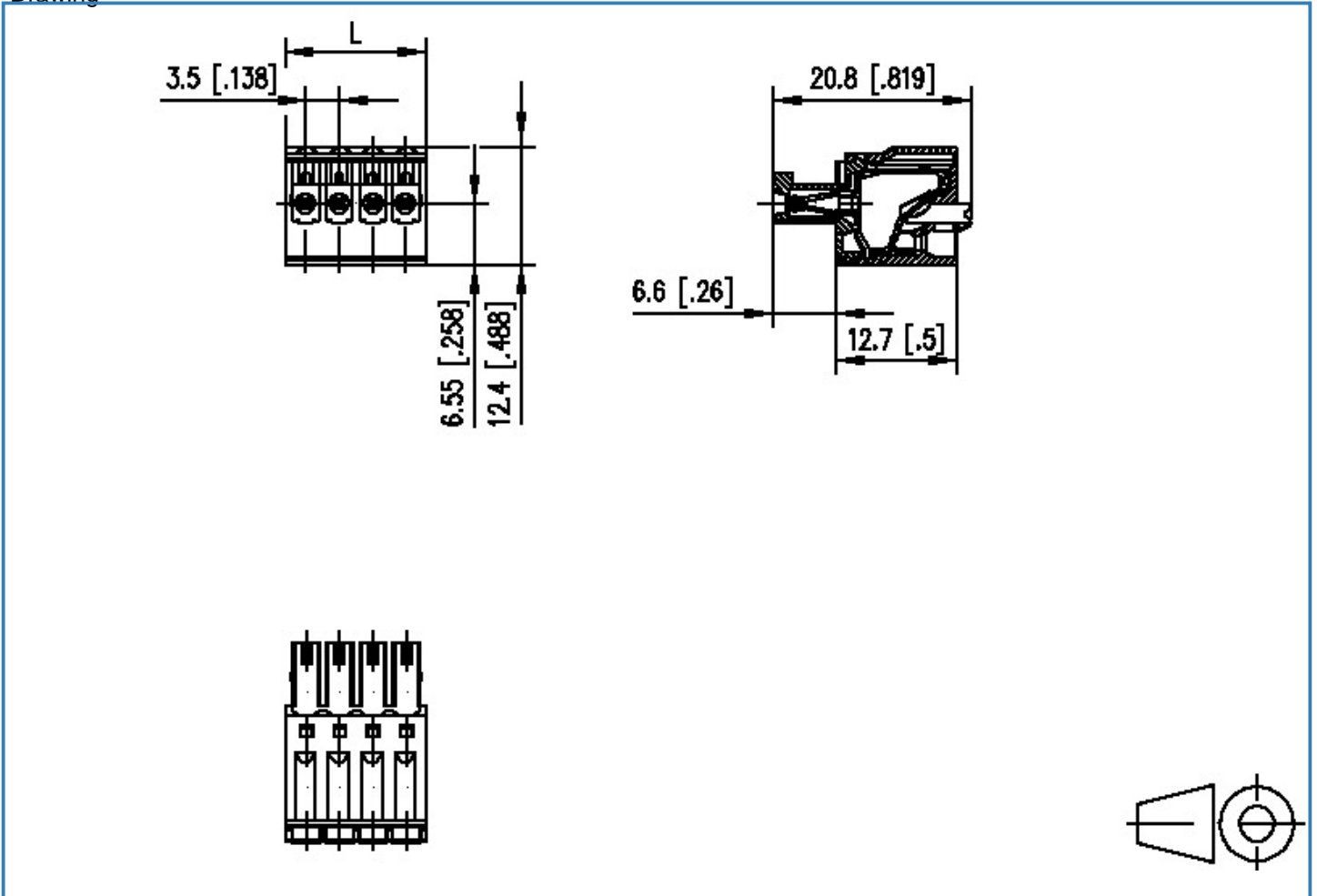
ASP063xx

xx=number of poles

2017/05/05

Illustration

Drawing



$$L = (\text{pole size} - 1) \times \text{centerline} + 4.3 [0.169]$$

