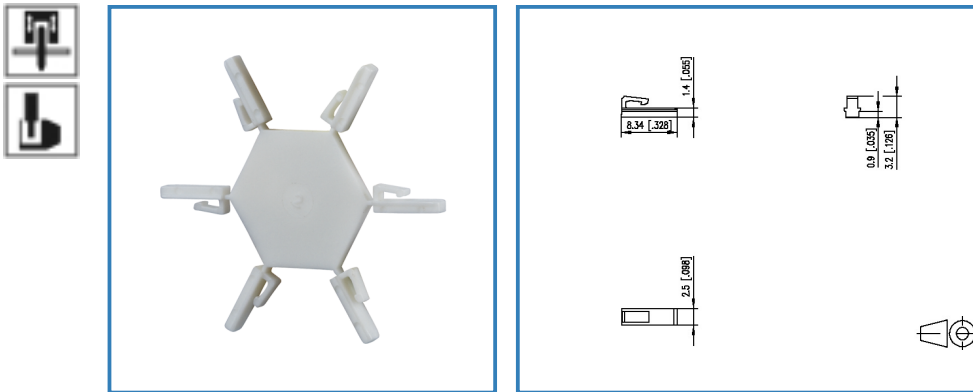


Data Sheet

700024

Page 1/4
P/N
700024-01-9
2018/02/01

Illustration



see enlarged drawing at the end of the document

Product specification

- The coding pins are inserted into the slots provided in the terminal block and respective header. The coding pin with the bridge will be inserted into the header.
- This method of coding does not result in any circuit loss. Please refer to the drawing below for further details.
- Group of 6 coding pins

© 2017 METZ CONNECT - Technische Änderungen vorbehalten! Subject to modifications! Sous réserve de modifications techniques!

Data Sheet

700024

Page 2/4

P/N

700024-01-9

2018/02/01

Technical Data

Material

insulating material	PA66
Color	white



Data Sheet

700024

Accessories to

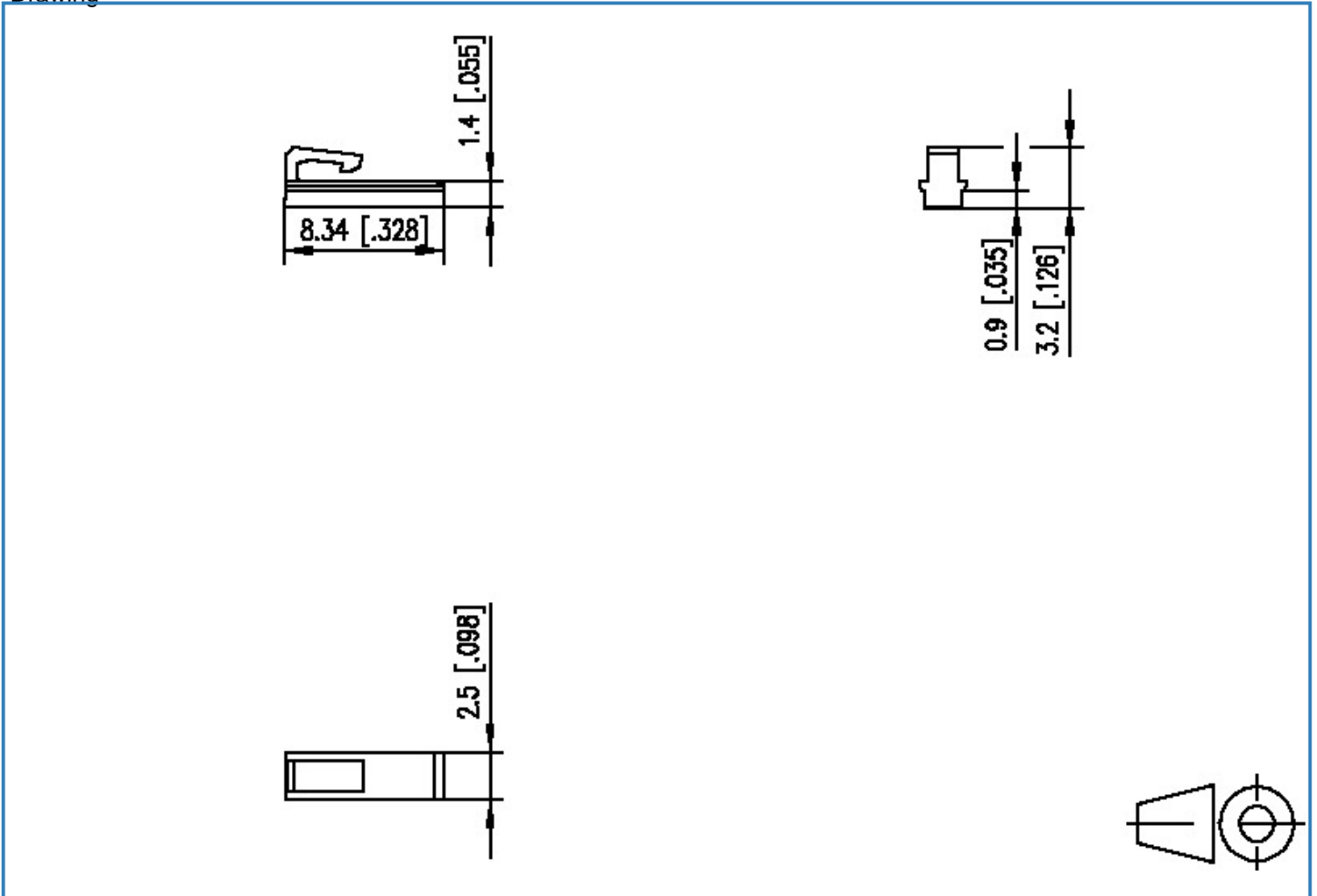
P/N	-5
314791	PR066xxVBEC Typ 479
313371	PR075xxHBEL Typ 337
313362	PT119xxHBBF Typ 336
313361	PT115xxHBBF Typ 336
313352	PT119xxVBBF Typ 335
313351	PT115xxVBBF Typ 335
313302 (on request)	PT119xxHBBN Typ 330
313301	PT115xxHBBN Typ 330
313292 (on request)	PT119xxHBEC Typ 329
313291	PT115xxHBEC Typ 329
313202	PT119xxVBBN Typ 320
313381	PR075xxHBER Typ 338
313961	PR065xxHBBF Typ 396
314781	PR066xxHBEC Typ 478
314771	PR065xxVBEC Typ 477
314761	PR065xxHBEC Typ 476
313992 (on request)	PR06AxxVBBF
313991	PR066xxVBBF Typ 399
313982 (on request)	PR06AxxHBBF
313981	PR066xxHBBF Typ 398
313972 (on request)	PR069xxVBBF
313971	PR065xxVBBF Typ 397
313962 (on request)	PR069xxHBBF
313201	PT115xxVBBN Typ 320
313192 (on request)	PT119xxVBEC Typ 319
313191	PT115xxVBEC Typ 319
312201	PT116xxVBBN Typ 220
312192	PT11AxxVBEC Typ 219
312191	PT116xxVBEC Typ 219
311792 (on request)	PR06AxxVBBN Typ 179
311791	PR066xxVBBN Typ 179
311782 (on request)	PR06AxxHBBN Typ 178
311781	PR066xxHBBN Typ 178
311772 (on request)	PR069xxVBBN Typ 177
311771	PR065xxVBBN Typ 177
311762 (on request)	PR069xxHBBN Typ 176
312202	PT11AxxVBBN Typ 220
312291	PT116xxHBEC Typ 229
312661	PT118xxHBBC Typ 266
312651	PT118xxHBEC Typ 265
312641	PT118xxVBBC Typ 264
312631	PT118xxVBEC Typ 263
312361	PT116xxHBBF Typ 236
312352	PT11AxxVBBF Typ 235
312351	PT116xxVBBF Typ 235

Data Sheet

700024

Illustration

Drawing



© 2017 METZ CONNECT - Technische Änderungen vorbehalten! Subject to modifications! Sous réserve de modifications techniques!

