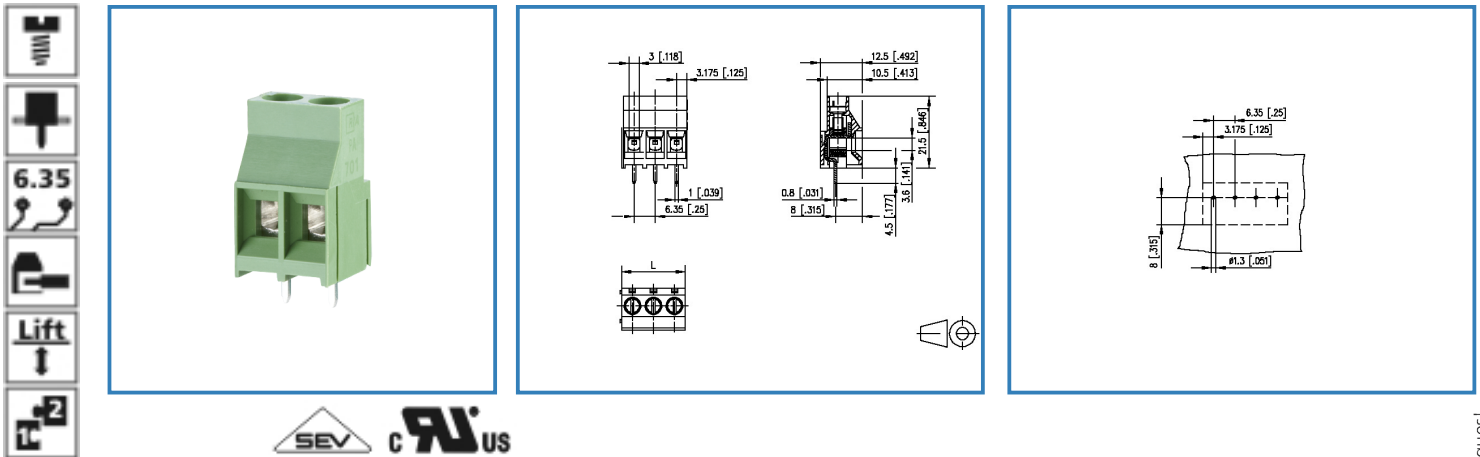


Data Sheet

RT11LxxHGLU

Illustration



see enlarged drawing at the end of the document

Product specification

- screw type terminal block, solderable
- centerline 6.35 mm, direction of connection 90°
- lift system, modular
- color green

© 2017 METZ CONNECT - Technische Änderungen vorbehalten! Subject to modifications! Sous réserve de modifications techniques!

Data Sheet

RT11LxxHGLU

Technical Data



General Data

Tightening torque SEV	0.6 Nm		
Tightening torque UL	5.3 lb-in		
Solder pin length	4.5 mm		
min. number of poles	2		
max. number of poles	3		
Insulating material class	CTI 600		
clearance/creepage dist.	5 mm		
protection category	IP 20		
Overvoltage category	III	III	II
Pollution degree	3	2	2
Rated voltage	200.0 V	500.0 V	500.0 V
Rated test voltage	2.5 kV	2.5 kV	2.5 kV

Connection data

Rated wiring solid wire	0.2 - 4 mm ² / AWG 26 - 10
Rated wiring stranded wire	0.2 - 4 mm ² / AWG 26 - 10

Approvals

 V / A / AWG	300 / 30 / 26 - 10
 4 mm ²	450 V / 32 A / T60

Material

insulating material	PA66
flammability class	V0
contact material	CuZn
Glow-Wire Flammability GWFI	960 °C acc. to IEC 60695-2-12
Glow-Wire Flammability GWIT	775 °C acc. to IEC 60695-2-13
contact surface	Ni + Sn
terminal body material	CuZn
terminal body surface	Ni
screw surface	Zn Cr(VI)-frei/free

Data Sheet

RT11LxxHGLU

Page 3/5

P/N

317011xx

xx=number of poles

2018/02/02

screw thread	M3
--------------	----

Climatic properties

upper limit temperature	105 °C
-------------------------	--------

lower limit temperature	-40 °C
-------------------------	--------

General

solderability	Acc. to JEDEC JESD22-B102E 245°C/5s
---------------	-------------------------------------

Tolerance	ISO 2768 -mH
-----------	--------------

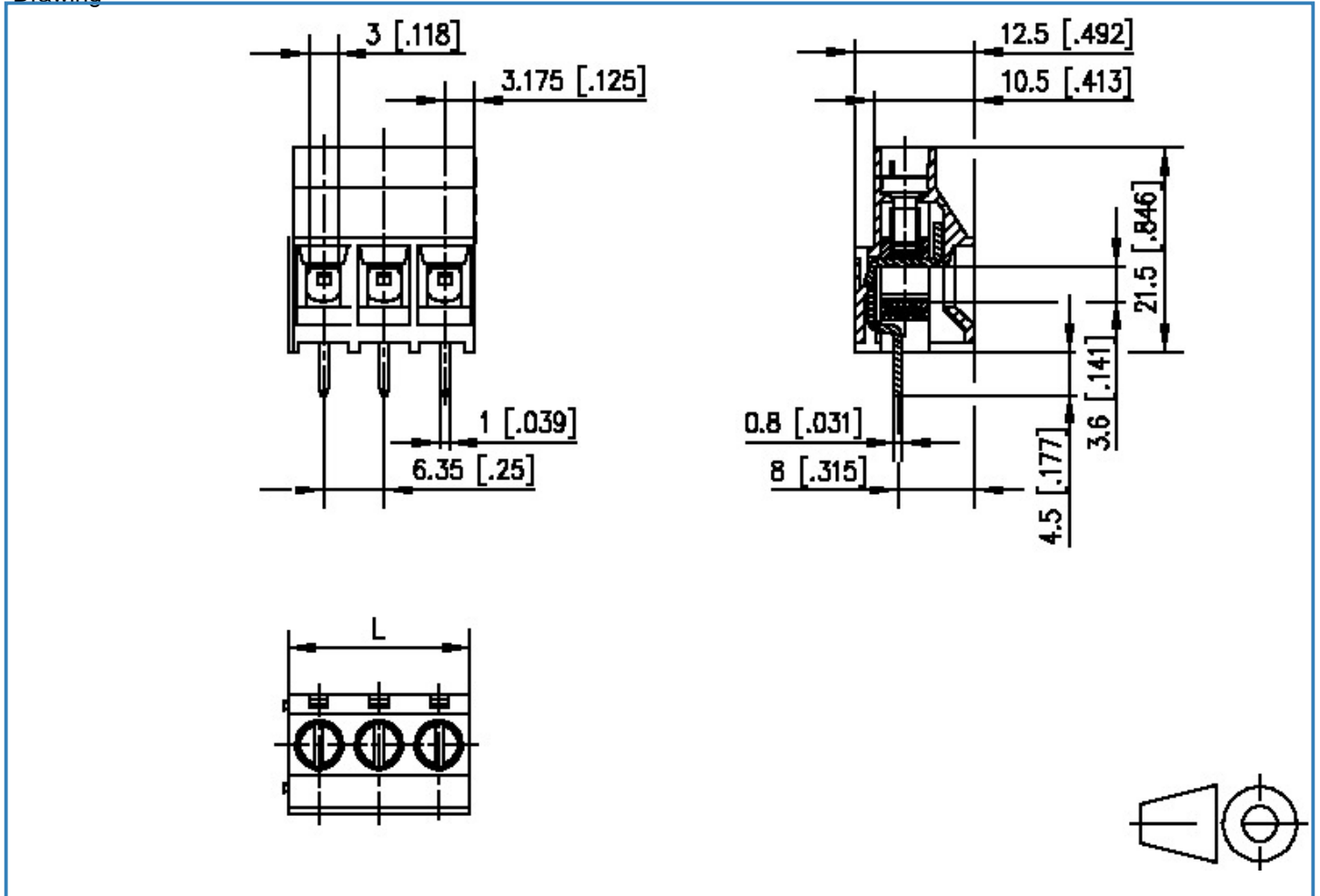


Data Sheet

RT11LxxHGLU

Illustration

Drawing



$L = (\text{pole size} - 1) \times \text{centerline} + 6.35 [0.25]$



Data Sheet

RT11LxxHGLU

Page 5/5

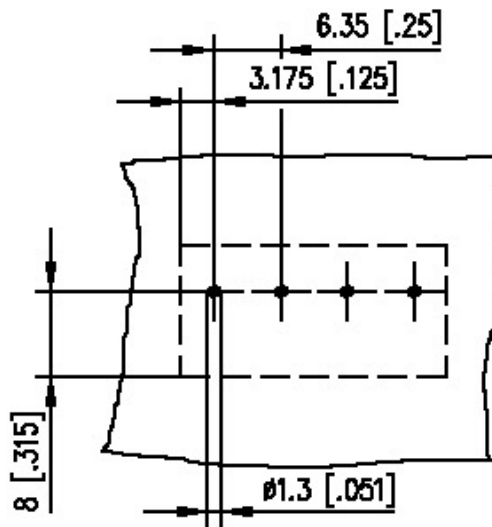
P/N

317011xx

xx=number of poles

2018/02/02

PCB Layout



© 2017 METZ CONNECT - Technische Änderungen vorbehalten! Subject to modifications! Sous réserve de modifications techniques!

