

Data Sheet

SP051xxVGNN

Page 1/5

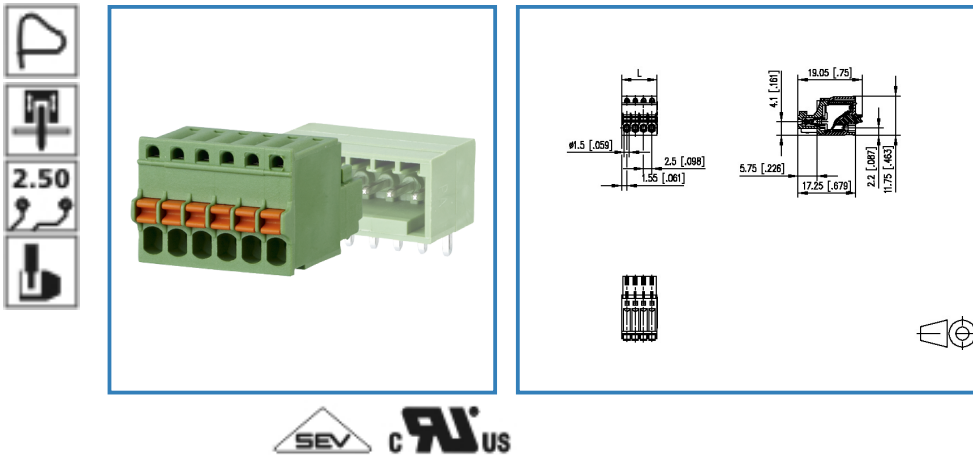
P/N

ASP051xx

xx=number of poles

2017/05/05

Illustration



see enlarged drawing at the end of the document

Product specification

- spring clamp terminal block, pluggable
- centerline 2.50 mm, direction of connection vertical 0°
- color green
- push-button, wire entry uncodeable side parallel to plug direction

Data Sheet

SP051xxVGNN

Technical Data



General Data

| | | | |
|---------------------------|---------|-----|----|
| min. number of poles | 2 | | |
| max. number of poles | 12 | | |
| Insulating material class | CTI 600 | | |
| clearance/creepage dist. | 1.7 mm | | |
| protection category | IP 20 | | |
| Overvoltage category | III | III | II |
| Pollution degree | 3 | 2 | 2 |

Connection data

| | |
|----------------------------|--|
| Rated wiring solid wire | 0.08 - 0.5 mm ² / AWG 28 - 20 |
| Rated wiring stranded wire | 0.08 - 0.5 mm ² / AWG 28 - 20 |

Approvals

| | |
|--|--|
|  V / A / AWG | 150 / 5 / 28 - 20 |
|  | 6 A / 80 V / 2.5 kV / 3 / IEC 61984 / 0.08 - 0.5 mm ² |

Material

| | |
|-----------------------------|--------------|
| insulating material | PA66 |
| flammability class | V0 |
| spring material | Spring steel |
| contact material | CuSn |
| Glow-Wire Flammability GWFI | 960 |
| Glow-Wire Flammability GWIT | 775 |
| contact surface | Sn |

Climatic properties

| | |
|-------------------------|--------|
| upper limit temperature | 105 °C |
| lower limit temperature | -40 °C |

General

| | |
|-----------|--------------|
| Tolerance | ISO 2768 -mH |
|-----------|--------------|



Data Sheet

SP051xxVGNN



Data Sheet

SP051xxVGNN

Page 4/5

P/N

ASP051xx

xx=number of poles

2017/05/05

Matching Part

| P/N | Product name |
|---------------------|---------------------|
| 313541 (on request) | PT091xxHBEC Typ 354 |
| 313731 | PT091xxVGBN Typ 373 |
| 313741 | PT091xxHGBN Typ 374 |

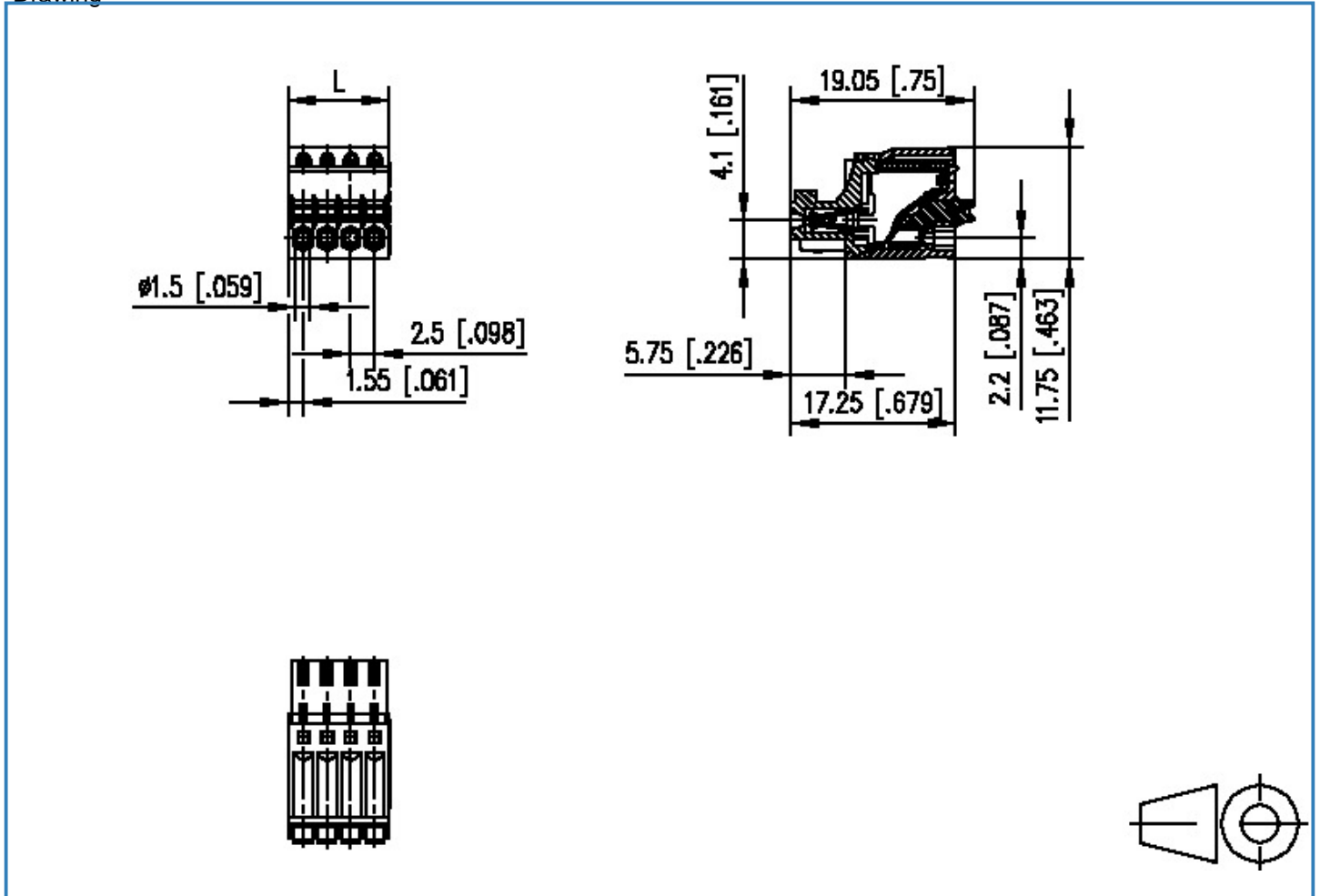


Data Sheet

SP051xxVGNN

Illustration

Drawing



$$L = (\text{pole size} - 1) \times \text{centerline} + 3.1 [0.122]$$

