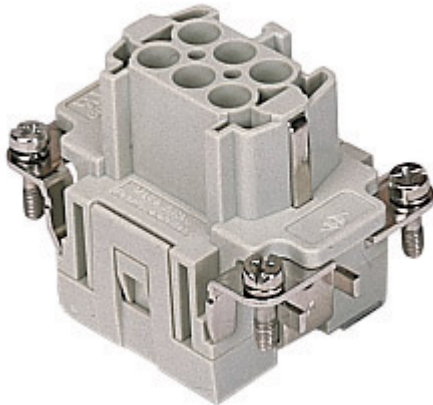




Part number  
**CCEF 06**



**Brief description:**

female insert, 6 poles + PE, crimp connections, 16A, 500V, 6kV, 3, size "44.27", CLASS insert series

Product description		Approvals / Standards	
<b>Model</b>	female insert	<b>Reference standard</b>	EN 61984:2009-06
<b>Version</b>	crimp connections	<b>Quality mark</b>	 , EAC
<b>Series</b>	CCE	<b>Conformity</b>	CQC, CE
<b>Product type</b>	for female contacts 16A	General ordering information	
<b>Family</b>	CLASS inserts	<b>EAN13 code</b>	8015747112604
<b>Size</b>	size "44.27"	<b>Tariff number</b>	85369095
<b>N. of poles</b>	6 poles + 	<b>Country of origin</b>	Made in EU (IT)
Technical data		<b>ETIM classification</b>	EC000438
<b>Current</b>	16 A (A.C. and D.C.)	Packaging Information	
<b>Voltage</b>	500 V	<b>Packaging length</b>	270,00 mm
<b>Rated impulse withstand voltage</b>	6kV	<b>Packaging height</b>	75,00 mm
<b>Pollution degree</b>	3	<b>Packaging width</b>	180,00 mm
<b>Operating temperature range (min, max)</b>	-40°C ... +125°C	<b>Packaging weight</b>	2,71 kg
<b>Mating cycles</b>	≥ 500	<b>Packaging volume</b>	3,65 dm <sup>3</sup>
<b>IP degree of protection</b>	IP20 without enclosure, IP65/IP66/IP68/IP69 with enclosure	<b>Packaging description</b>	Carton box
<b>PE connection type</b>	Screw	<b>Packaging quantity</b>	60 Pcs
<b>PE terminal stripping length</b>	7 mm	<b>Packaging EAN code</b>	8015747112727
<b>PE wire cross-section</b>	0,14 - 4 mm <sup>2</sup> ; AWG 20 - 12	<b>Sub-packaging length</b>	104,00 mm
<b>Tightening torque for PE connection</b>	M4: 1,2 Nm, 10,6 lb.in (Ph2 or 1,0x5,5mm )	<b>Sub-packaging height</b>	36,00 mm
Further technical details		<b>Sub-packaging width</b>	180,00 mm
<b>Characteristics according to EN 61984</b>	16A 500V 6kV 3; 16A 400/690V 6kV 2	<b>Sub-packaging weight</b>	0,45 kg
<b>Insulation resistance</b>	≥ 10 GΩ	<b>Sub-packaging volume</b>	0,67 dm <sup>3</sup>
<b>Contact resistance</b>	≤ 1 mΩ	<b>Sub-packaging description</b>	Carton tray
<b>Rated voltage according to UL/CSA</b>	600V	<b>Sub-packaging quantity</b>	10 Pcs
<b>UL 94 flammability rating</b>	V-0	<b>Sub-packaging EAN barcode</b>	8015747112710
<b>Main contacts stripping length</b>	7 mm		
<b>Torque for main contact</b>	M4: 1,2 Nm, 10,6 lb.in (Ph2 or 1,0x5,5mm )		
<b>Tightening torque for fixing screws</b>	M3: 0,5 Nm; 4,4 lb.in (Ph1 or 0,8x4 mm)		
<b>Weight</b>	38,70 g		

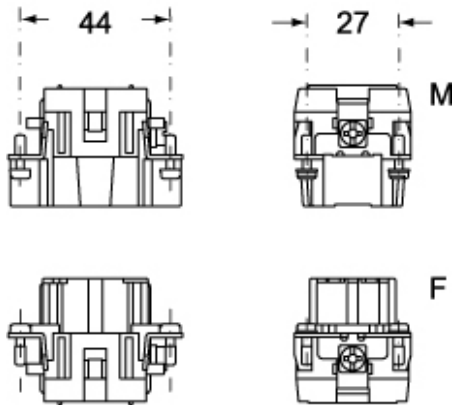
Part number

# CCEF 06

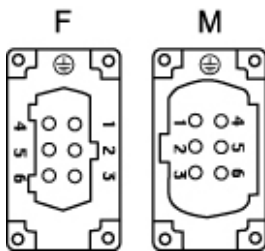


## Catalogue drawings

### CCEM 06

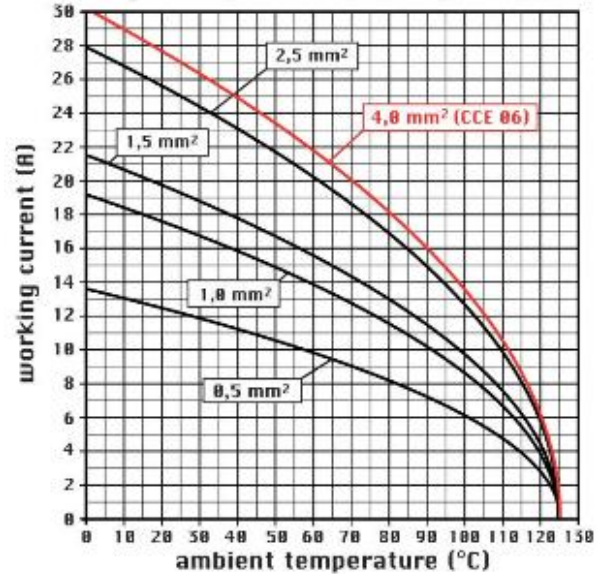


### CCEF 06



## Catalogue drawings

diagram CN, CNE and CCE 06 poles



## Notes

CCEF/M 06 inserts:

- characteristics according to EN 61984:  
(16A 500V 6kV 3)  
(16A 400/690V 6kV 2)
- rated voltage according to UL/CSA: 600V
- insulation resistance: > 10 GOhm
- ambient temperature limit: -40 °C ... +125 °C
- are made of self-extinguishing thermoplastic resin UL 94 V0
- mechanical life: > 500 cycles
- contact resistance: < 1 mOhm
- enclosures: size "44.27":  
C-TYPE IP65/IP66  
C7 IP67 stainless steel lever  
V-TYPE IP65/IP66  
stainless steel lever  
T-TYPE IP65 insulating  
JEI zinc-plated steel lever  
BIG hoods  
W-TYPE aggressive environments.  
EMC  
central lever  
IP68

- panel supports: page:  
COB