



Part number
CQ 08 I



Brief description:

bulkhead mounting housings with single lever, size "32.13", thermoplastic version, IP66/ IP67

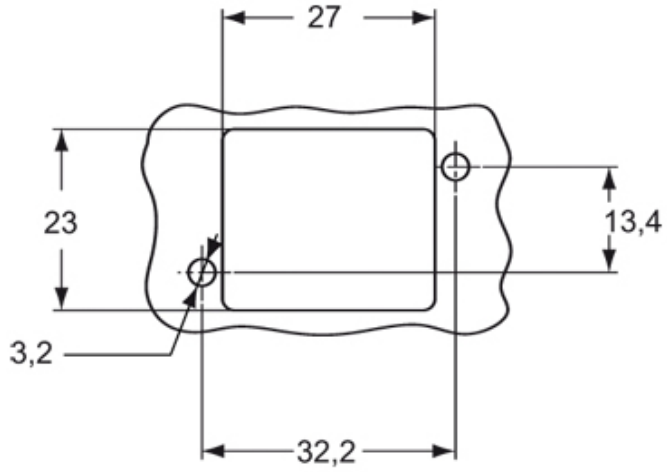
Product description		Approvals / Standards	
Version	Insulating type	Quality mark	 (type:4/4X/12),  , EAC
Series	Bulkhead mounting housings with 1 lever	Conformity	CQC, CE
Product type	with 1 lever	General ordering information	
Family	CQ enclosures	EAN13 code	8015747114899
Size	size "32.13"	Tariff number	85369095
Technical data		Packaging Information	
Operating temperature range (min, max)	-40°C ... +125°C	Packaging length	210,00 mm
Material	thermoplastic	Packaging height	130,00 mm
IP degree of protection	IP66/ IP67 (EN 60529) and IP69K (DIN 40050 - 9) degree of protection.	Packaging width	240,00 mm
Further technical details		Packaging weight	0,75 kg
Weight	15,00 g	Packaging volume	6,55 dm ³
		Packaging description	Carton box
		Packaging quantity	50 Pcs
		Packaging EAN code	8015747212977
		Sub-packaging weight	0,15 kg
		Sub-packaging description	Plastic bag
		Sub-packaging quantity	10 Pcs
		Sub-packaging EAN barcode	8015747212984

Part number

CQ 08 I

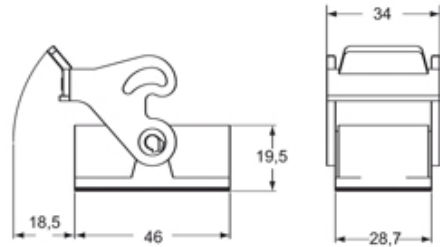


Catalogue drawings

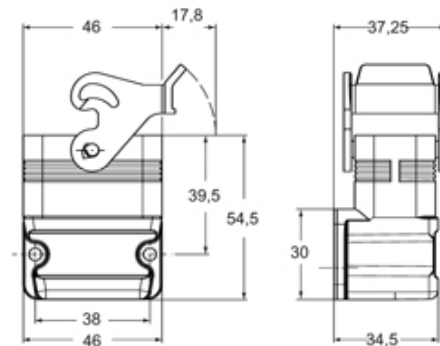


Catalogue drawings

CQ I



CQ IA



CQ IAP

