

Part number


# CQS 08 IA



## Brief description:

Angled mounting housings with 1 lever, size "32.13", without cable gland, EMV version, IP66

Product description	
Version	EMC version
Series	Angled mounting housings with 1 lever
Product type	with 1 lever
Variant	without cable gland
Family	CQ enclosures
Size	size "32.13"
Technical data	
Operating temperature range (min, max)	-40°C ... +125°C
Material	thermoplastic
IP degree of protection	IP66 (and IP69K DIN 40050 - 9)

Approvals / Standards	
Quality mark	 (type:12), EAC
Conformity	CQC, CE
General ordering information	
EAN13 code	8015747175128
Tariff number	85369095
Packaging Information	
Sub-packaging description	Plastic bag
Sub-packaging quantity	1 Pcs
Sub-packaging EAN barcode	8015747175159

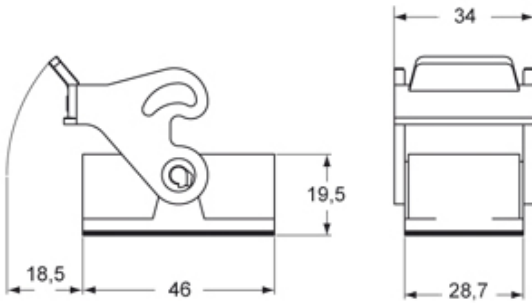
Part number

# CQS 08 IA

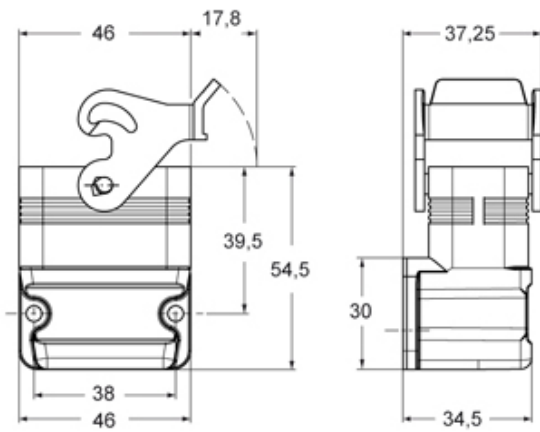


Catalogue drawings

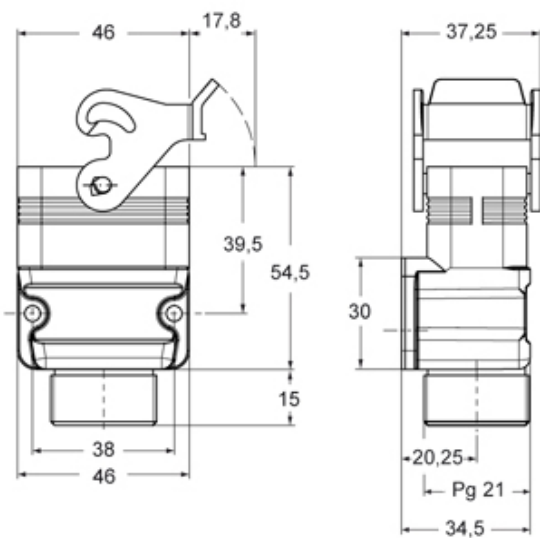
CQS I



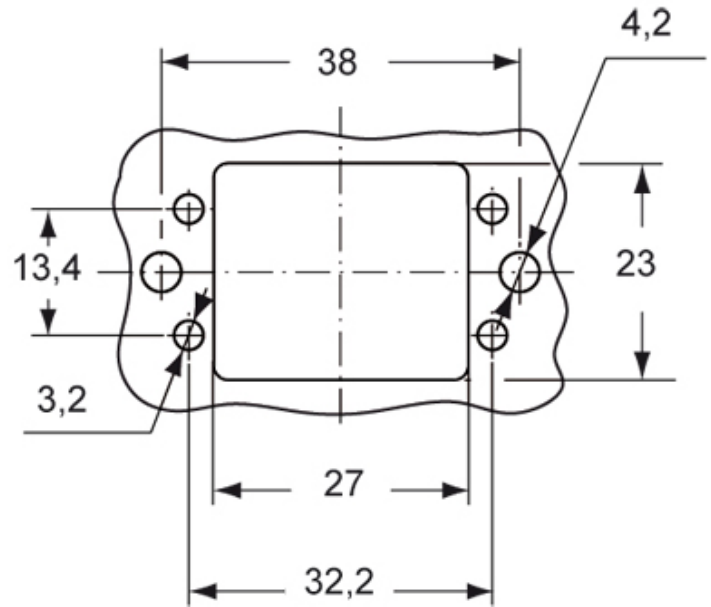
CQS IA



CQS IAP



Catalogue drawings



Notes

CQS enclosures:

- metallized thermoplastic enclosures
  - when using EMC CQS 08 series enclosures, please remove the gasket from the male insert and replace it with the CR 08 EMC conductive gasket
  - CQ 08 IAP/V/VG version with Pg male thread on outside of enclosure
-