

Part number

CQS 08 VA



Brief description:

Hoods with 2 pegs, size "32.13", side entry, EMV version, Pg16, IP66

Product description

Version	EMC version
Series	Hoods with 2 pegs
Product type	with 2 pegs
Variant	side entry
Family	CQ enclosures
Size	size "32.13"

Technical data

Operating temperature range (min, max)	-40°C ... +125°C
Material	thermoplastic
IP degree of protection	IP66 (and IP69K DIN 40050 - 9)
Cable entry	Pg16

Further technical details

Weight	27,00 g
---------------	---------

Approvals / Standards

Quality mark	 (type:12), EAC
Conformity	CQC, CE

General ordering information

EAN13 code	8015747095143
Tariff number	85369095

Packaging Information

Sub-packaging weight	0,03 kg
Sub-packaging description	Plastic bag
Sub-packaging quantity	1 Pcs
Sub-packaging EAN barcode	8015747103596

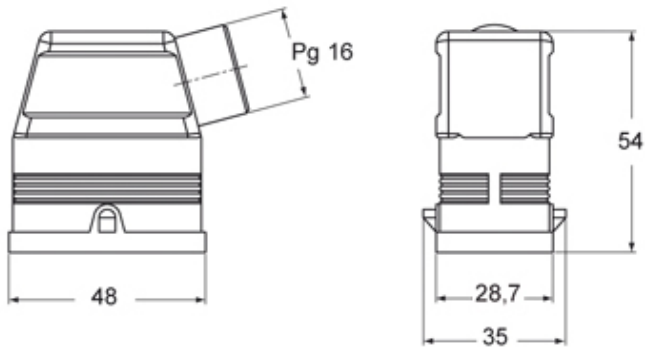
Part number

CQS 08 VA

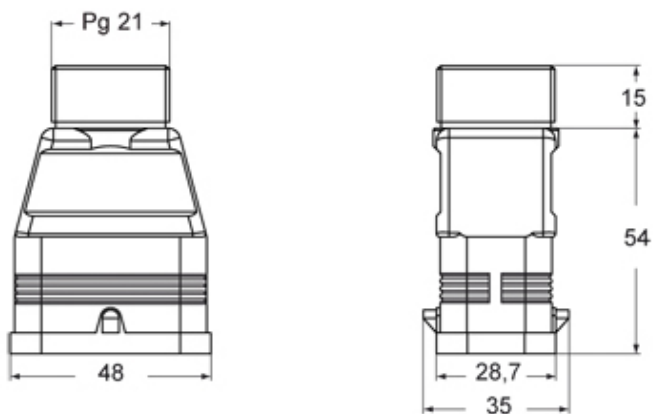


Catalogue drawings

CQS VA



CQS V



Notes

CQS enclosures:

- metallized thermoplastic enclosures
- when using EMC CQS 08 series enclosures, please remove the gasket from the male insert and replace it with the CR 08 EMC conductive gasket
- CQ 08 IAP/V/VG version with Pg male thread on outside of enclosure