

Part number

# CZ7I 15 L



## Brief description:

bulkhead mounting housing with single lever in stainless steel, size "49.16", metal version, IP66/IP67

### Product description

<b>Version</b>	IP67 enclosures with rigid locking lever
<b>Series</b>	bulkhead mounting housings with single lever
<b>Product type</b>	with 1 lever
<b>Family</b>	CZ7 - MZ7 enclosures
<b>Size</b>	size "49.16"

### Technical data

<b>Material</b>	metal
<b>IP degree of protection</b>	IP66/IP67

### Further technical details

<b>Weight</b>	0,25 g
---------------	--------

### General ordering information

<b>EAN13 code</b>	8015747234825
-------------------	---------------

### Packaging Information

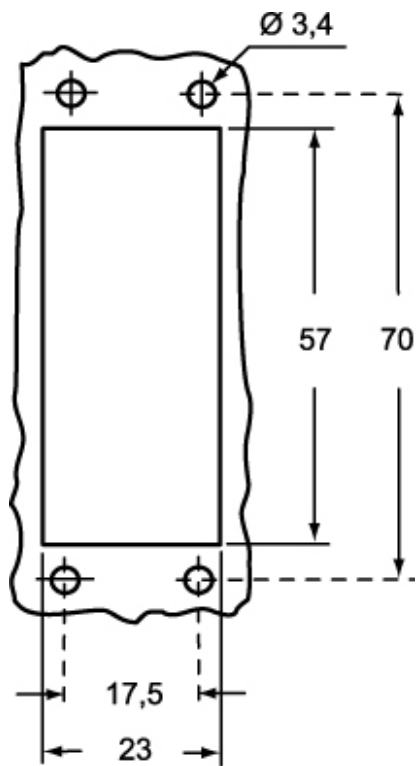
<b>Packaging length</b>	160,00 mm
<b>Packaging height</b>	180,00 mm
<b>Packaging width</b>	270,00 mm
<b>Packaging volume</b>	7,78 dm <sup>3</sup>
<b>Packaging description</b>	Carton box
<b>Packaging quantity</b>	40 Pcs
<b>Packaging EAN code</b>	8015747234832
<b>Sub-packaging description</b>	Plastic packaging
<b>Sub-packaging quantity</b>	5 Pcs
<b>Sub-packaging EAN barcode</b>	8015747234849

Part number

# CZ71 15 L



Catalogue drawings



Catalogue drawings

