

Part number

MZ7P 15 LS25



Brief description:

surface mounting housing with single lever in stainless steel and cover, size "49.16", M25, metal version, IP66/IP67

Product description

Version	IP67 enclosures with rigid locking lever
Series	surface mounting housings with single lever
Product type	with 1 lever
Variant	metal cover
Family	CZ7 - MZ7 enclosures
Size	size "49.16"

Technical data

Material	metal
IP degree of protection	IP66/IP67
Cable entry	M25

General ordering information

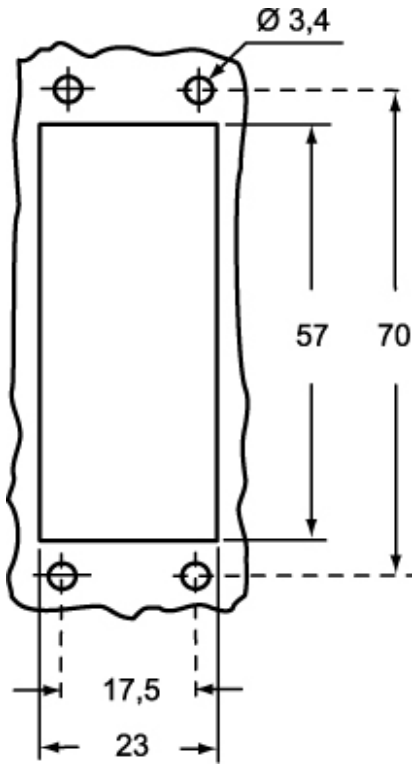
EAN13 code	8015747239981
-------------------	---------------

Part number

MZ7P 15 LS25



Catalogue drawings



Catalogue drawings

