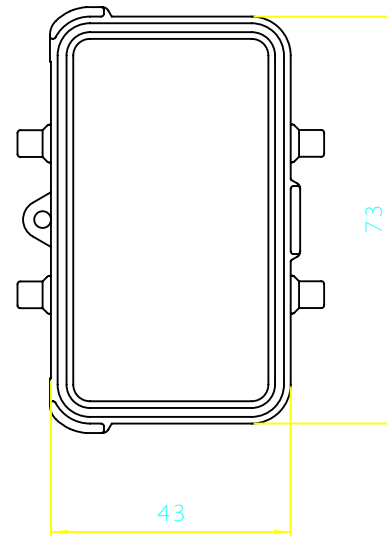
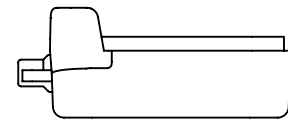
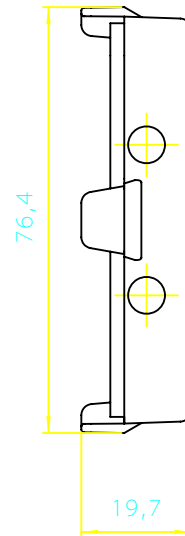
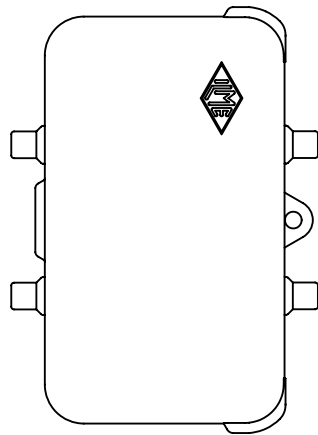



Diritti riservati

All rights reserved



dimensions in mm	CHCN 10	Scale	
Date 27/06/14	Cover - LS-TYPE	1:1	
Sign. Pezzimenti			