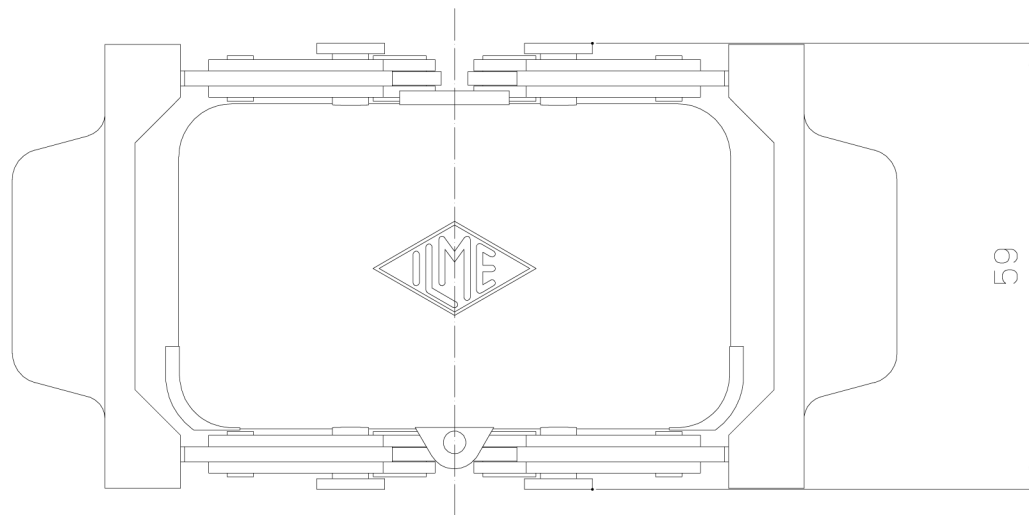
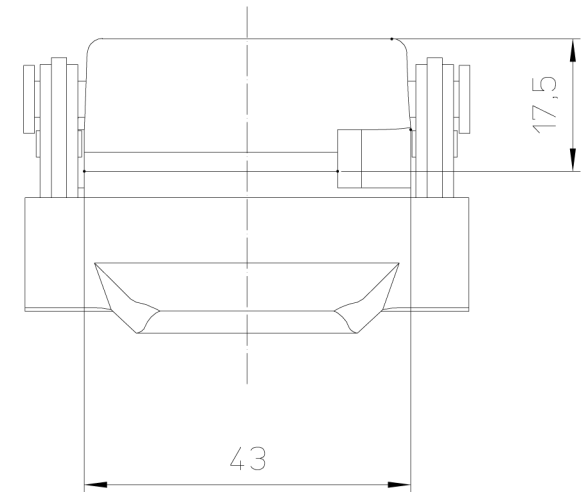
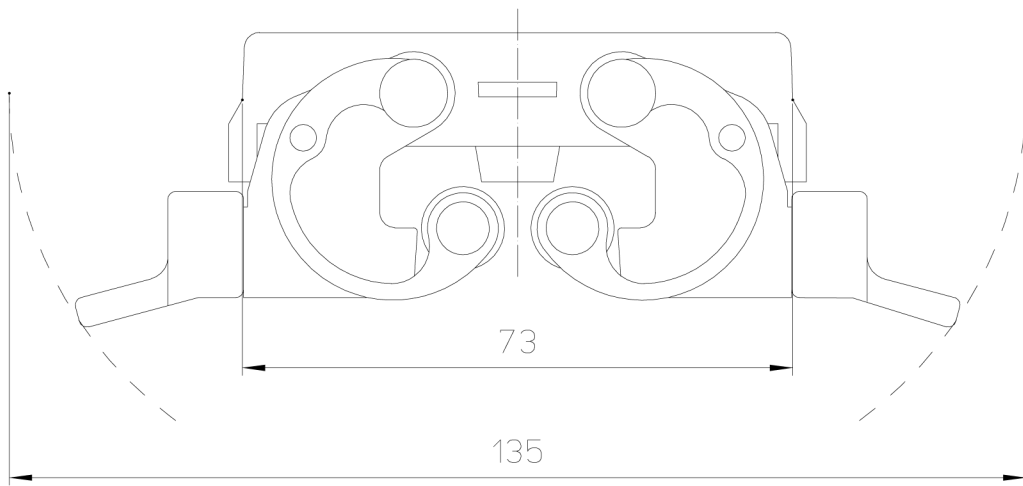


Diritti riservati All rights reserved



		dimensions in mm	CHCR 10 G	Scale
		Date 15/12/16	Cover - 180°	1:1
		Sign. C. Mainini		