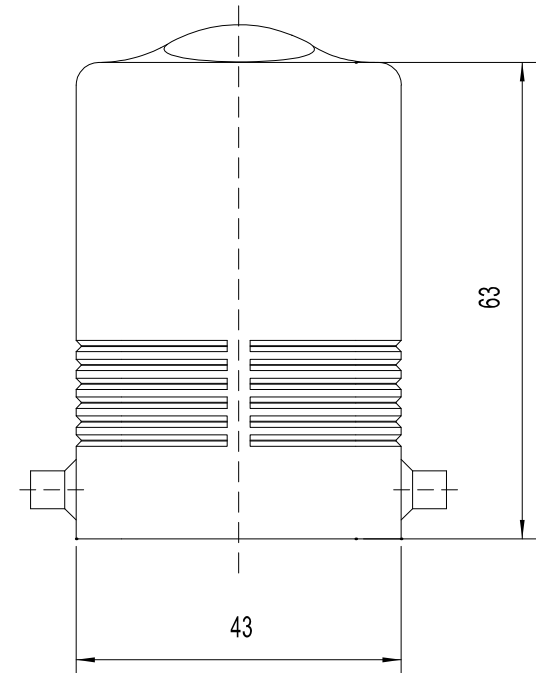
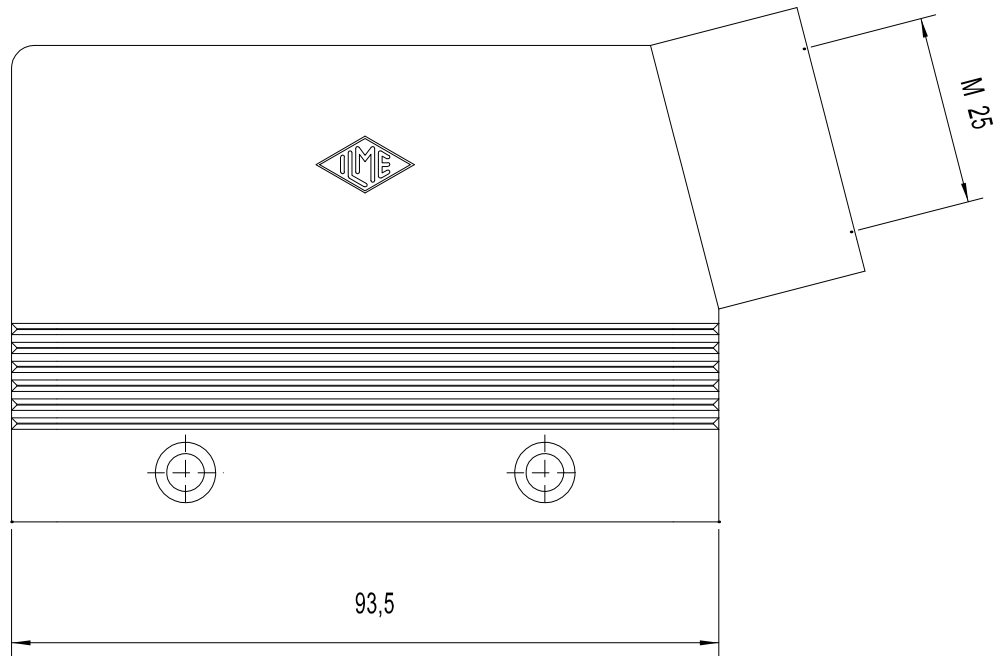



Diritti riservati All rights reserved



Date	15.12.2016	MHOR 16.25	Scale	
Sign.	C. Mainini	hood side entry M25 - 180°C	1:1	