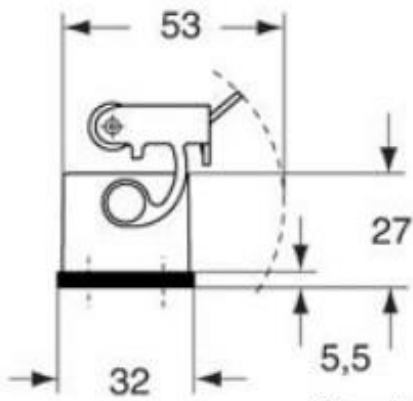
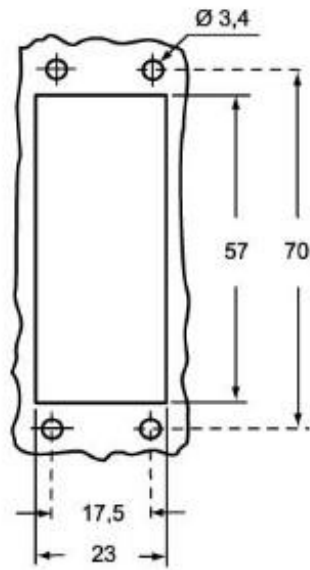
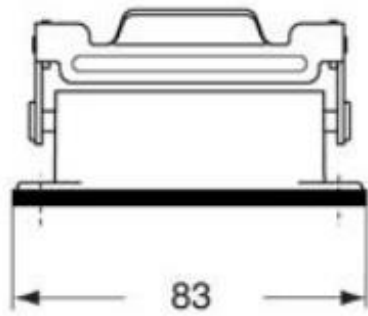


CZI 15 L



Dimensions in mm. Dimensions shown are not binding and may be changed without notice