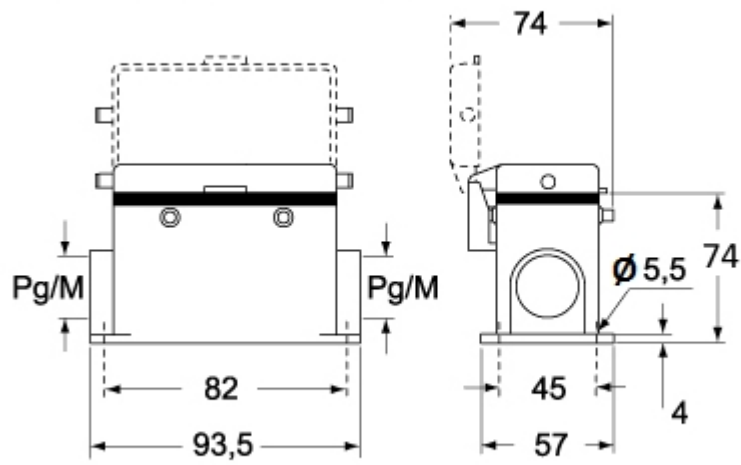


CAP 10 CP / MAP 10 CP
CAP 10 CS / MAP 10 CS



Dimensions in mm. Dimensions shown are not binding and may be changed without notice.