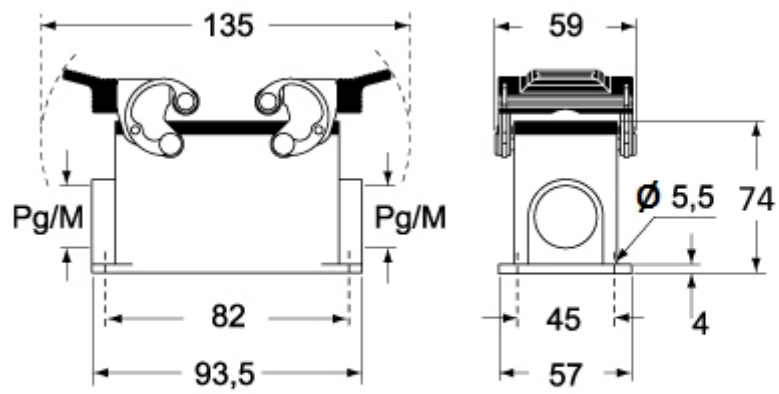


CAP 10 / MAP 10



Dimensions in mm. Dimensions shown are not binding and may be changed without notice.