

Part number

CAP 24 LS2



Surface mounting housing, C-TYPE series, with 1 lever, Pg21 x 2 cable entry, size "104.27", high construction, with plastic cover

Product description

| | |
|----------------------|---------------------------------------|
| Product type | surface mounting housing |
| Series | C-TYPE |
| Closing type | with 1 lever |
| Size | size "104.27" |
| Cable entry | Pg21 x 2 |
| Specification | high construction, with plastic cover |

Technical data

| | |
|--------------------------------|------|
| IP degree of protection | IP65 |
|--------------------------------|------|

Further technical details

| | |
|---|------------------|
| Weight | 555,00 g |
| Operating temperature range (min, max) | -40 °C...+125 °C |

Approvals / Standards

| | |
|-----------------------|------------|
| Certifications | DNV-GL, BV |
|-----------------------|------------|

General ordering information

| | |
|-------------------|---------------|
| EAN13 code | 8015747008556 |
|-------------------|---------------|

Packaging Information

| | |
|----------------------------------|-----------------------|
| Packaging length | 475,00 mm |
| Packaging height | 220,00 mm |
| Packaging width | 200,00 mm |
| Packaging weight | 6,15 kg |
| Packaging volume | 20,90 dm ³ |
| Packaging description | Carton box |
| Packaging quantity | 10 Pcs |
| Packaging EAN code | 8015747237031 |
| Sub-packaging weight | 3,08 kg |
| Sub-packaging description | Plastic packaging |
| Sub-packaging quantity | 5 Pcs |
| Sub-packaging EAN barcode | 8015747237048 |

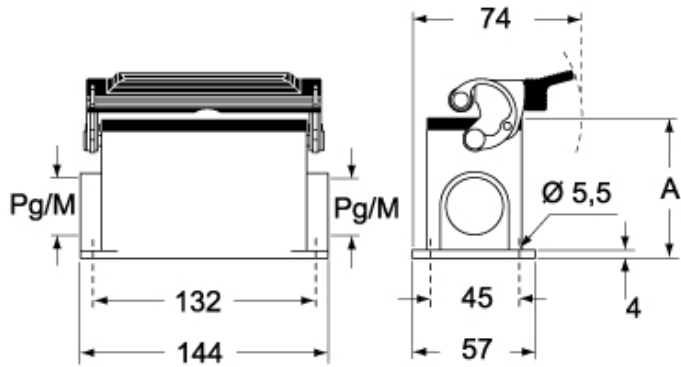
Part number

CAP 24 LS2

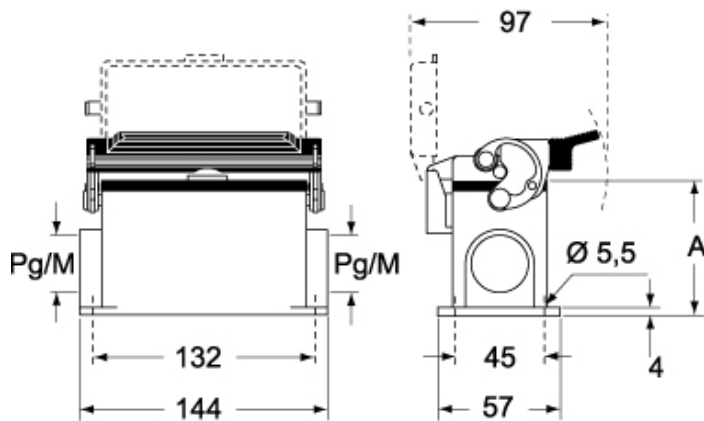


Catalogue drawings

CHP L CAP L - MHP L MAP L



CHP LS CAP LS - MHP LS MAP LS



| | A |
|------------------------|----------|
| CHP L / MHP L | 63 |
| CAP L / MAP L | 80 |
| CHP LS / MHP LS | 63 |
| CAP LS / MAP LS | 80 |

Notes

Dimensions shown in mm are not binding and may be changed without notice.