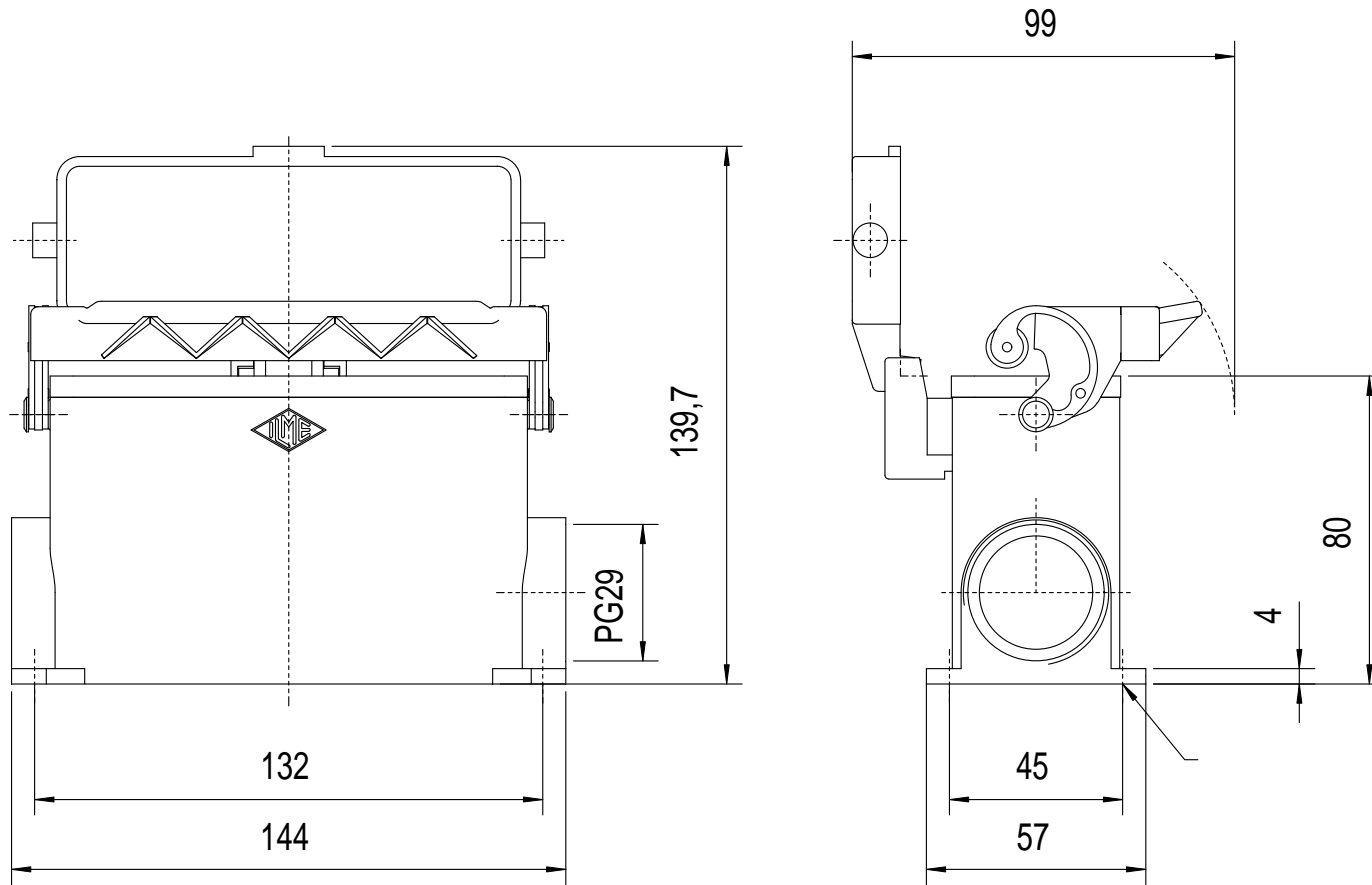


Diritti riservati All rights reserved



Date	04.01.2007	CAP 24 LS29 surface mount. h. 1 lev.+cover PG29	Scale
Sign.			1:2
			